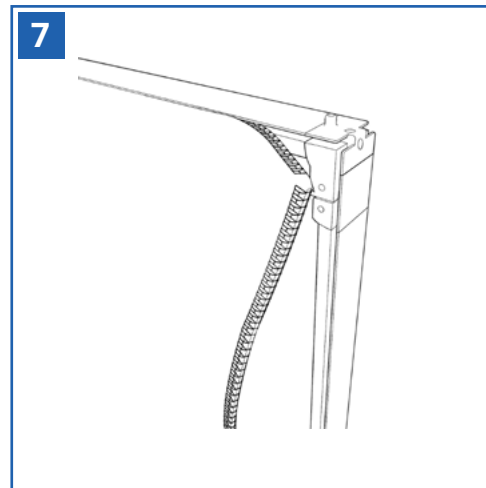
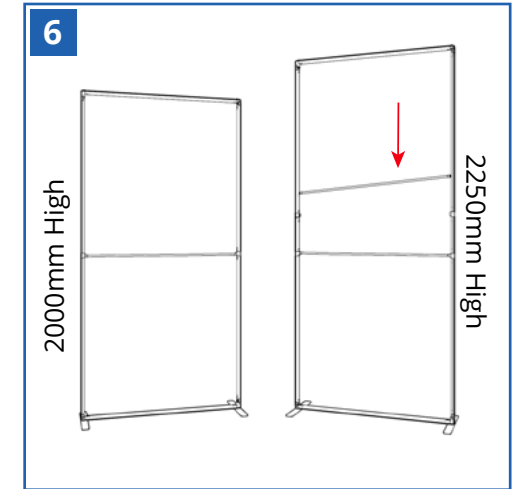
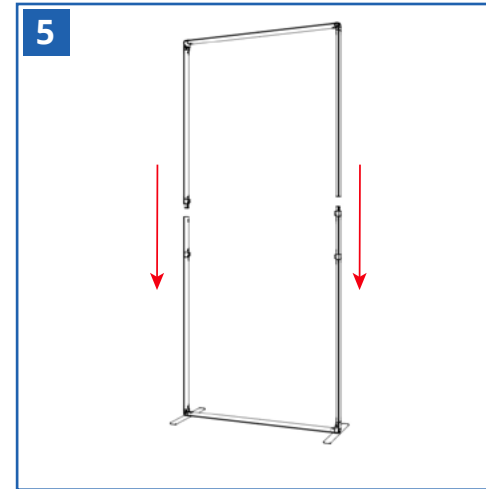
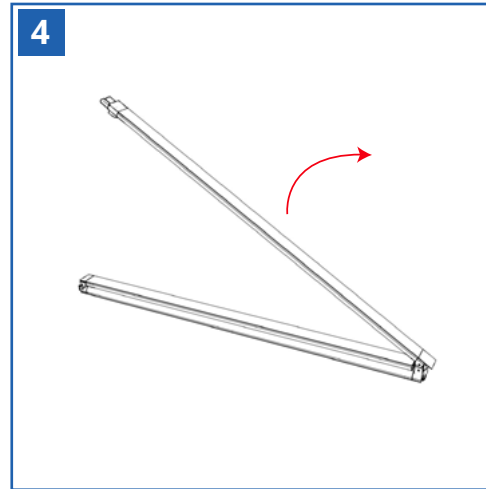
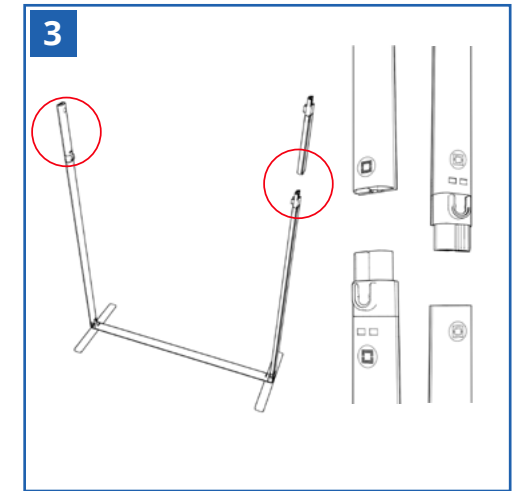
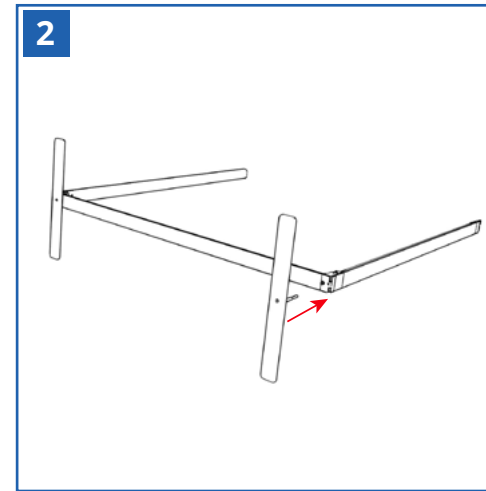
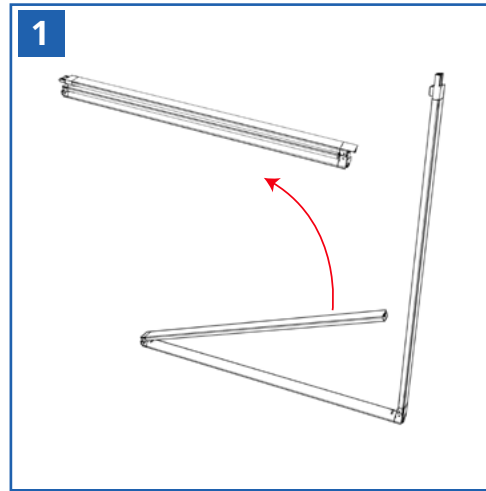


FABLOK® SEG DISPLAY STAND

Assembly Instructions

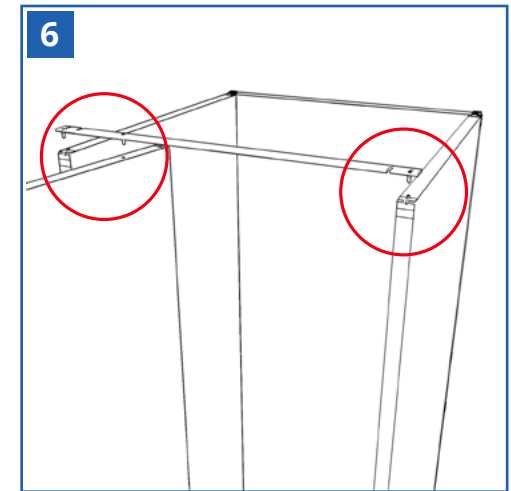
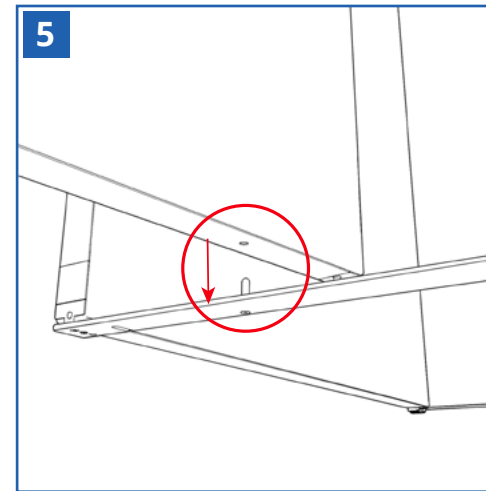
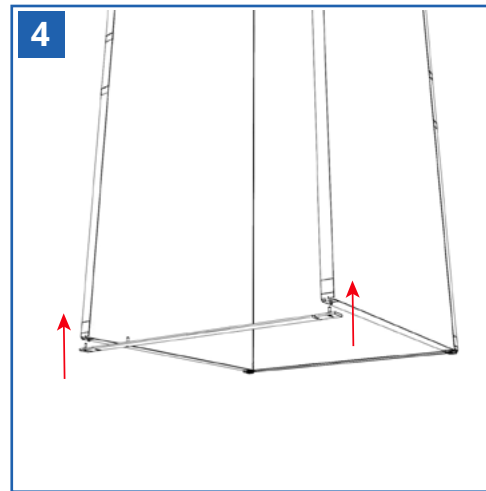
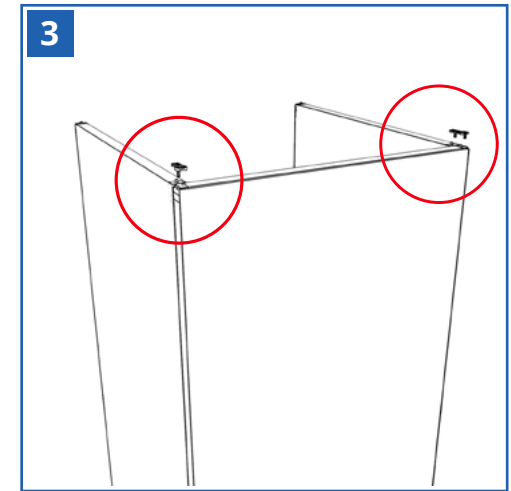
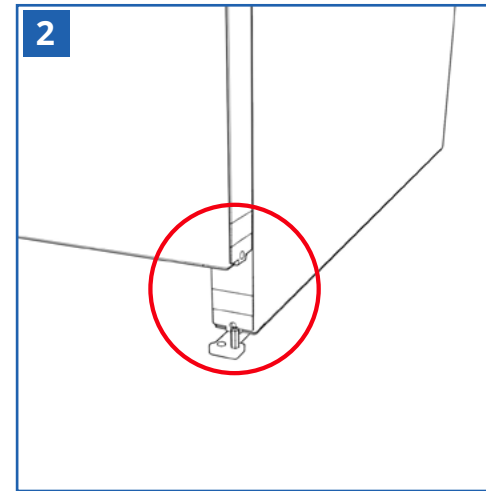
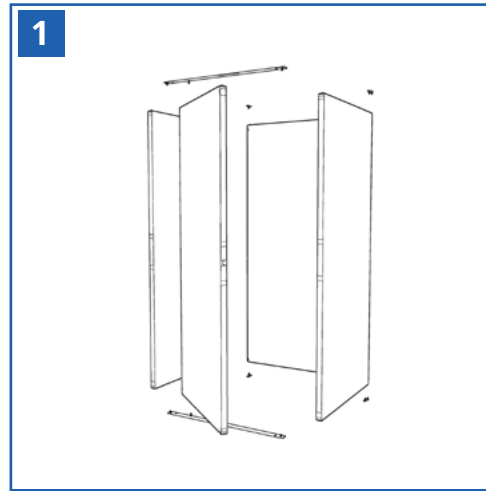
1. Unfold bottom frame section
2. Attach stabilising feet
3. Connect height extenders (2250mm (h) frames only)
4. Unfold top frame section
5. Add top frame to bottom frame section
6. Connect support pole(s)
7. Install silicone edge graphics



FABLOK® CUPBOARD KIT

Assembly Instructions

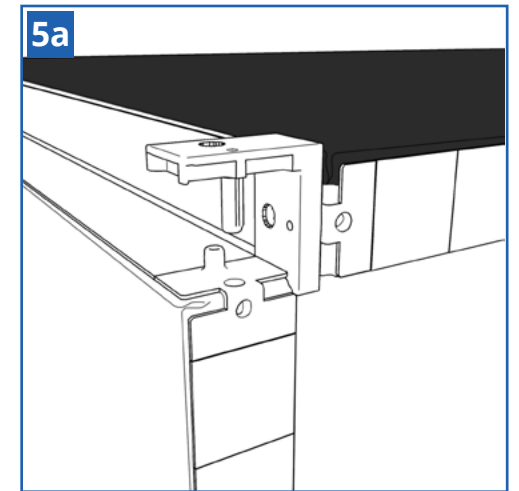
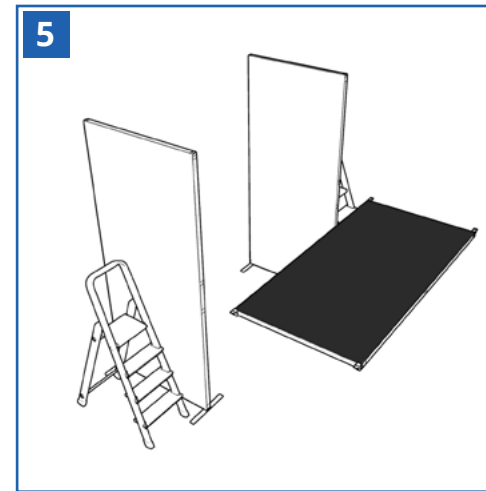
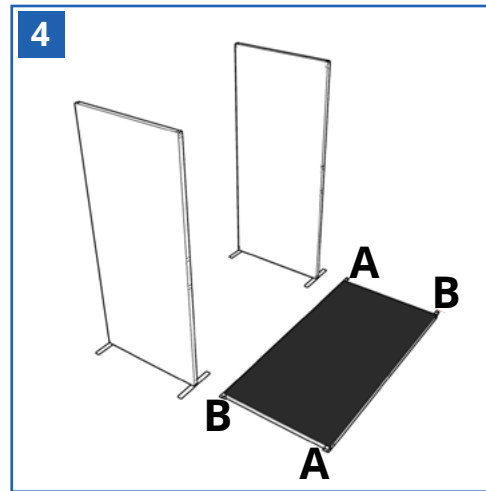
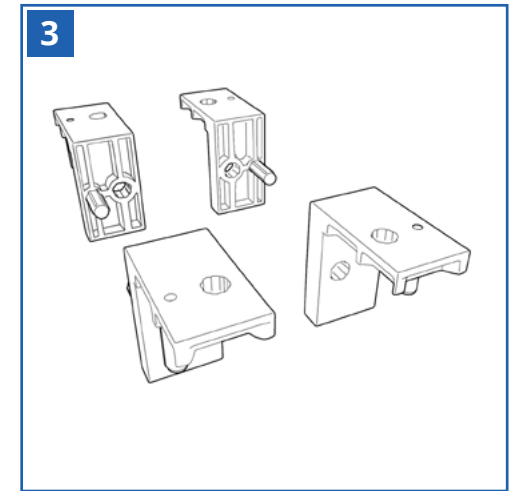
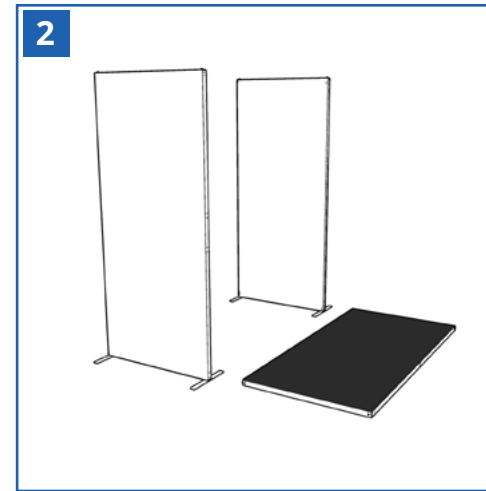
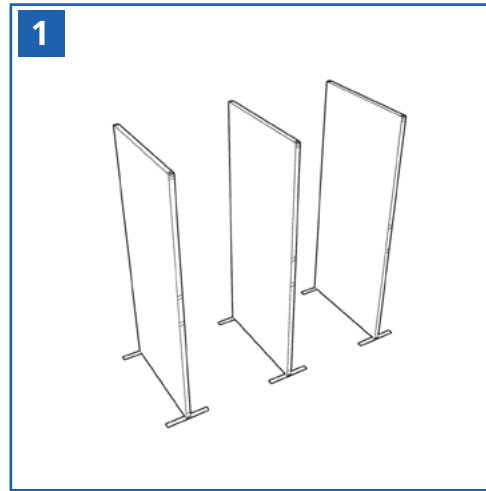
1. Ensure all 1m wide frames are assembled, have graphics installed and stabilising feet removed
2. Add 90-degree bottom connectors on both rear corners
3. Add 90-degree top connectors on both rear corners
4. Attach bottom door bar at the front of the cupboard
5. Mount access panel on hinge connectors
6. Align the hinge connector when adding the top door bar
7. Close the access panel to complete installation



FABLOK® EXHIBITION ARCH INLINE MOUNTING

Assembly Instructions

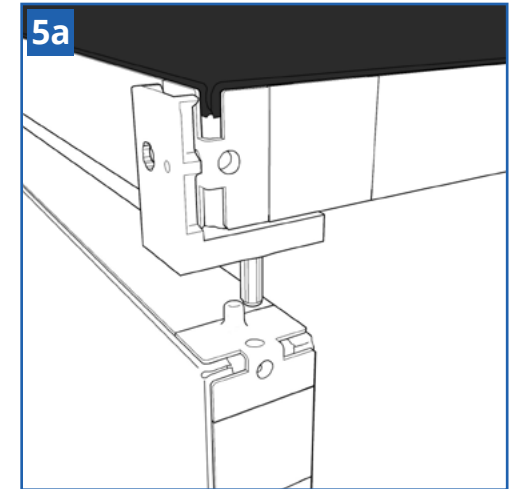
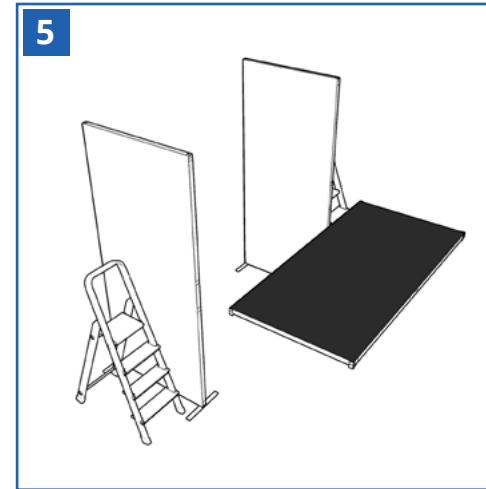
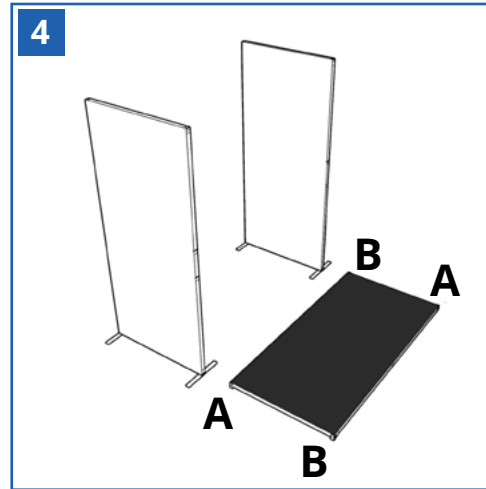
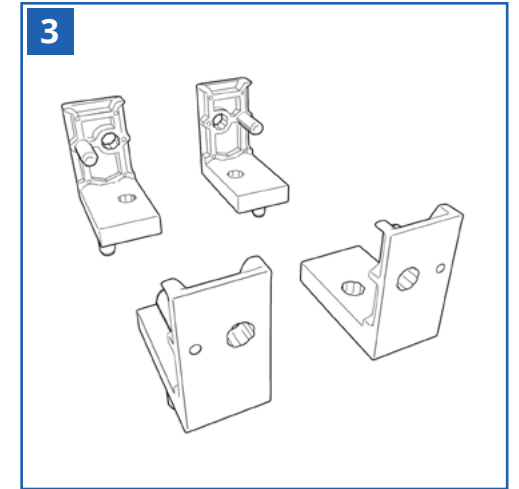
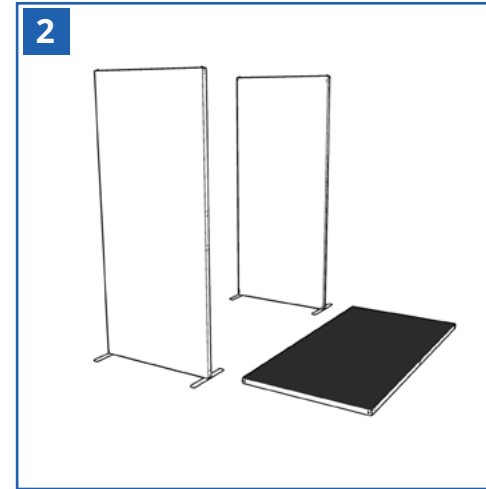
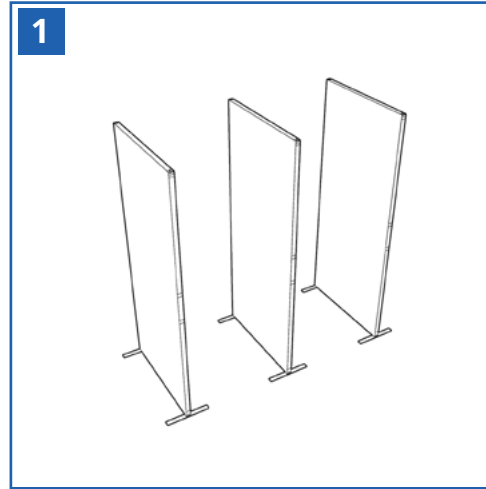
1. Ensure all 1 m (w) frames are assembled with graphics installed
2. Lay arch roof on the floor and remove stabilising feet
3. Organise the brackets for 'inline' mounting
4. Connect the brackets to each corner of the arch roof
5. Lift the arch roof into position to secure in place



FABLOK® EXHIBITION ARCH ONTOP MOUNTING

Assembly Instructions

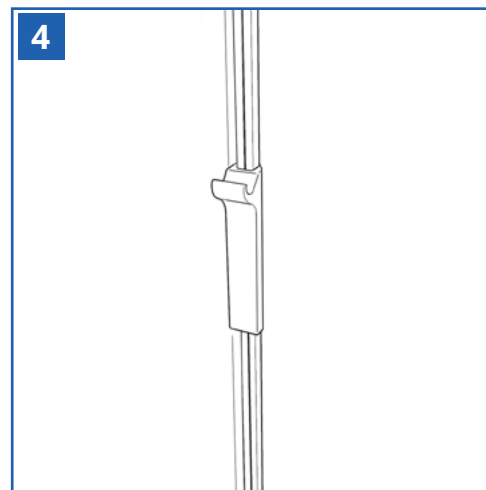
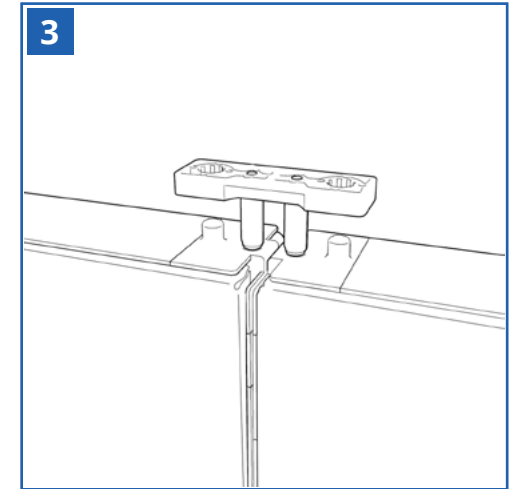
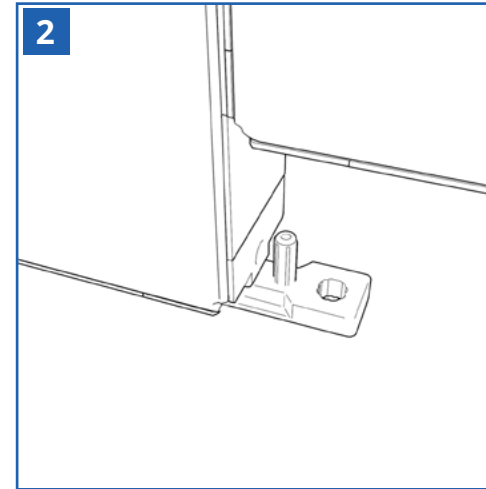
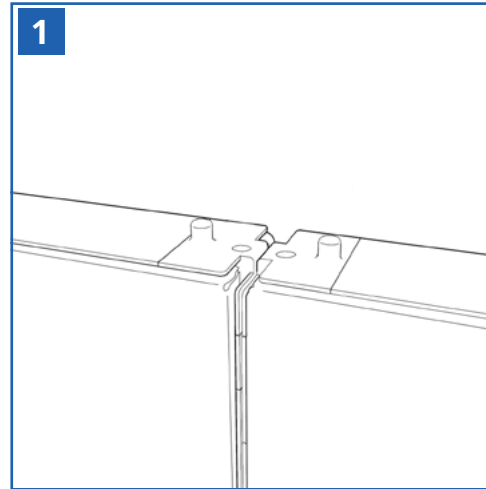
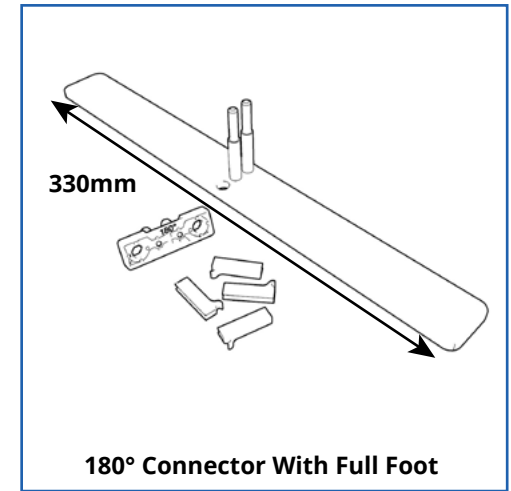
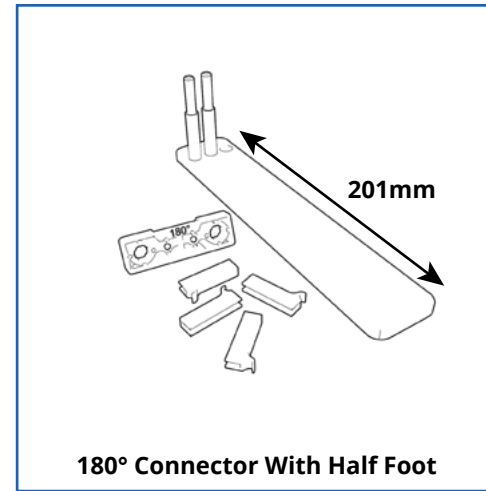
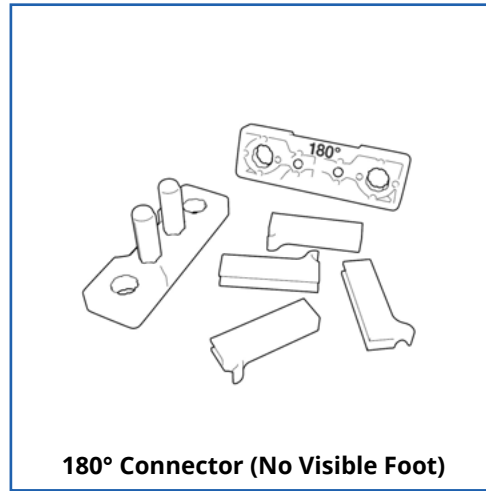
1. Ensure all 1m (w) frames are assembled with graphics installed
2. Lay arch roof on the floor and remove stabilising feet
3. Organise the brackets for 'ontop' mounting
4. Connect the brackets to each corner of the arch roof
5. Lift the arch roof into position to secure in place



FABLOK® 180 DEGREE CONNECTOR

Assembly Instructions

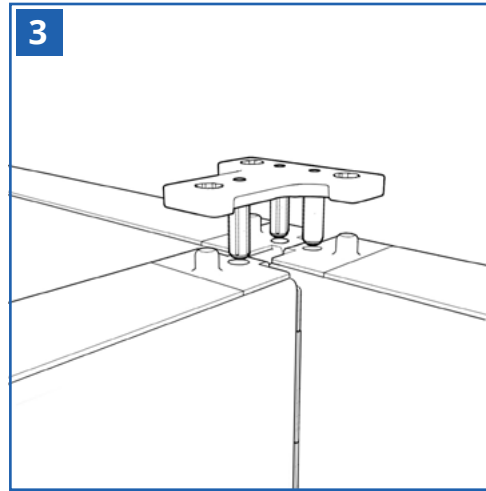
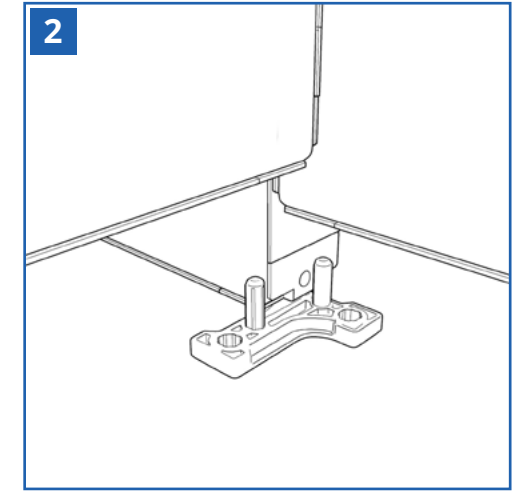
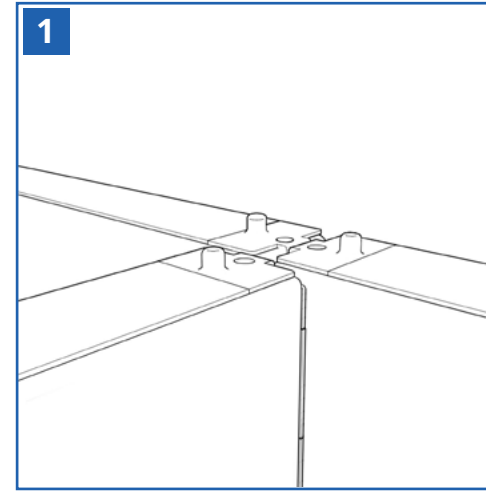
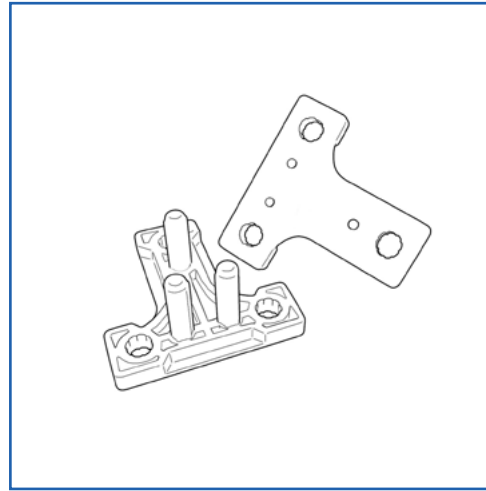
1. Align two FABLOK® frames
2. Remove stabilising feet and add linking connector/foot
3. Add top connector to secure frames
4. Insert plastic clips to pinch two frames together



FABLOK® T-CONNECTOR

Assembly Instructions

1. Remove stabilising feet and align three FABLOK® frames in a T-configuration
2. Lift the frames one-by-one to mount the T-connector
3. Insert the top connector to secure the three frames



FABLOK® 90 DEGREE CONNECTOR

Assembly Instructions

1. Align two FABLOK® frames in a 90° configuration and remove stabilising feet
2. Lift the frames one-by-one to mount the bottom connector
3. Insert the top connector to secure frames
4. Mount the clear plastic clips top and bottom to secure the frames together

