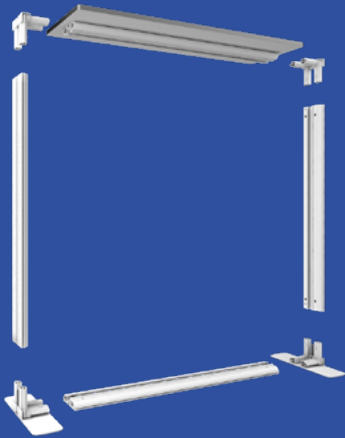


# FABRILUX® Backlit Exhibition Counter LED Lightbox



## KIT LIST:

- Horizontal Frame Section: x2
- Vertical Frame Section: x2
- Corner Section: x2
- Stabilising Feet: x2
- Black Counter Top: x1
- Premium Trolley Bag With Foam Inserts: x1
- Power Cable & Transformer: x1

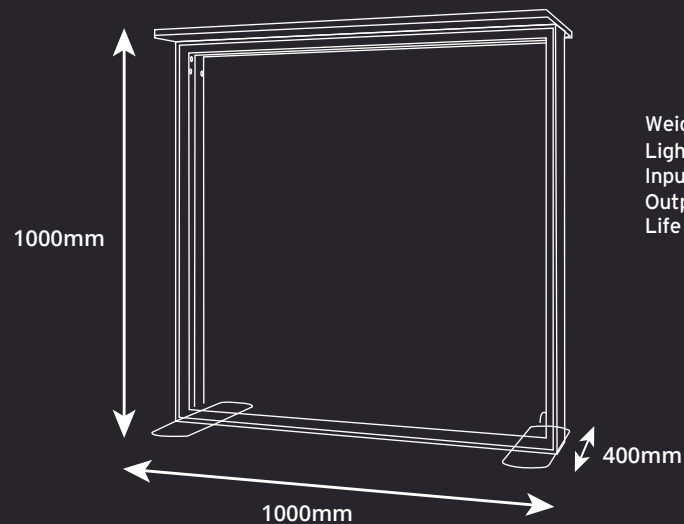


Premium SEG  
Printed Fabric  
Graphics



Includes Premium  
Padded Case With  
Wheels

## DIMENSIONS:



Weight: 18kg

Lights: Lumen 260 per Bulb / 6500K Kelvin / Daylight Colour Temperature

Input Power: 100- 240V 50/60Hz

Output Power: 24V 6.35A

Life Expectancy: 50,000 Hours

**XL**

displays

01733 511030

sales@xldisplays.co.uk