

FABRIWALL® FABRIC DISPLAY EXHIBITION BACKDROP 2X2

Technical Specification

FEATURES:

- 2m (H) x 2m (W) Fabric Exhibition Stand
- Double Sided Straight Fabric Display
- Custom Fabric Printing
- Lightweight Banner Tube Frame
- Machine Washable at 30 Degrees
- Includes Padded Carry Bag
- Fire Retardant Fabric
- 5 Year Hardware Warranty



01733 511030
sales@xldisplays.co.uk



Carry Bag Included

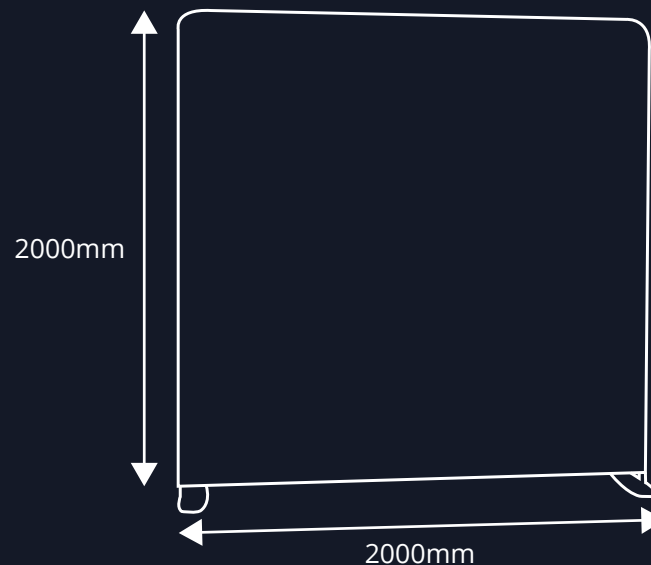


Aluminium Frame / Polyester Graphic



Numbered Push-Fit Tube Frame

DIMENSIONS:



Height: 2000mm
Width: 2000mm
Depth: 410mm
Weight: 6kg
Graphic Weight: 220gsm
Fabric Printing: Dye-Sublimation

DIN_EN_13501 - Is a European standard that is an equivalent to M1
DIN4102B1 - B1 - German standard that is recognised everywhere but France