

# FABRI-BANNER® STRETCH FABRIC BANNER STAND

Technical Specification

## FEATURES:

- Freestanding Fabric Tube Banner Stand
- Seamless Double-Sided Fabric Display
- Aluminium Tube Stand With Base
- 600, 900, 1200, 1500, 1800mm Widths
- Machine Washable at 30°
- Includes Padded Exhibition Carry Bag
- Fire Rated Fabric: DIN 4102 Class B1
- Recyclable 100% Polyester Tension Fabric
- 2 Year Banner Hardware Warranty



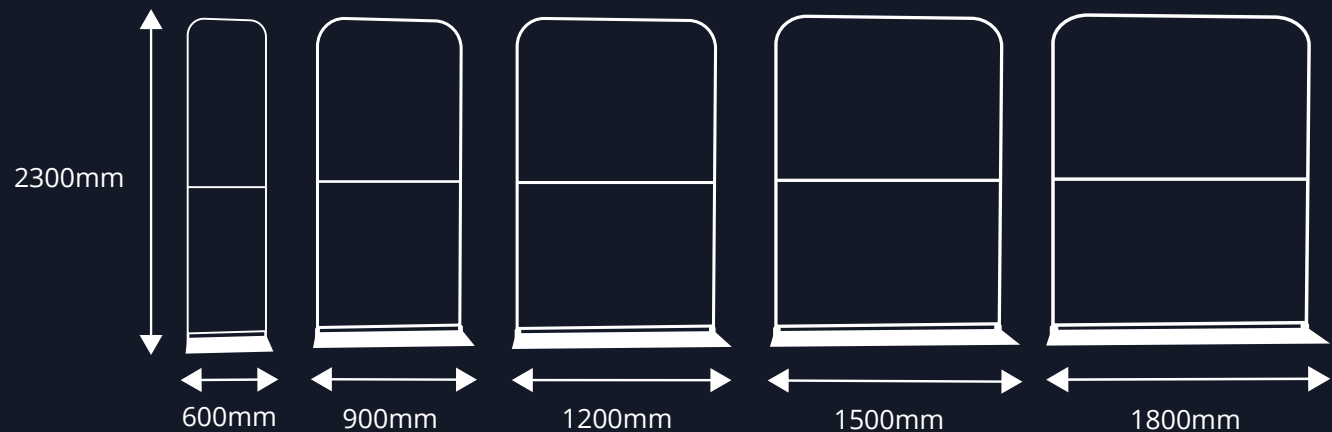
Aluminium Frame / Polyester Graphic



Numbered Push-Fit Tube Frame

## DIMENSIONS:

Depth: 300mm  
Weight: 6.7kg/9.6kg/11kg/13.9kg/15.1kg  
Graphic Weight: 220gsm  
Fabric Printing: Dye-Sublimation



01733 511030  
sales@xldisplays.co.uk