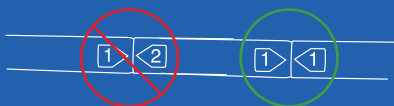
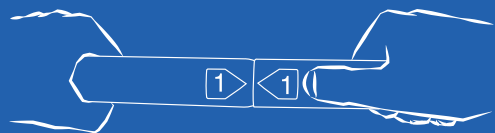
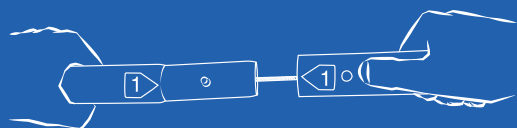
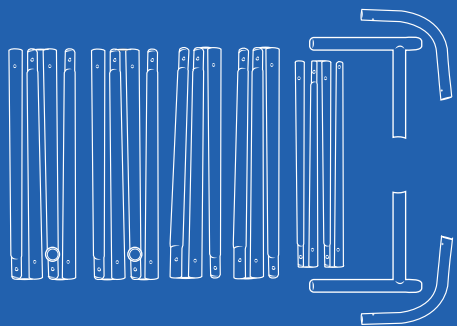
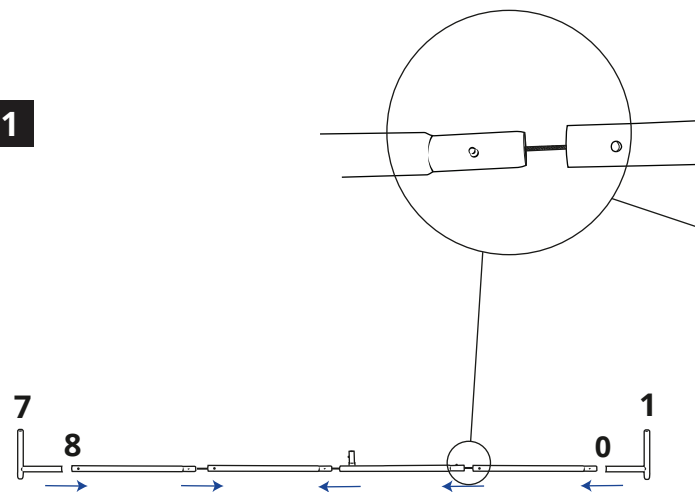


# FORMULATE STRAIGHT FABRIC DISPLAY

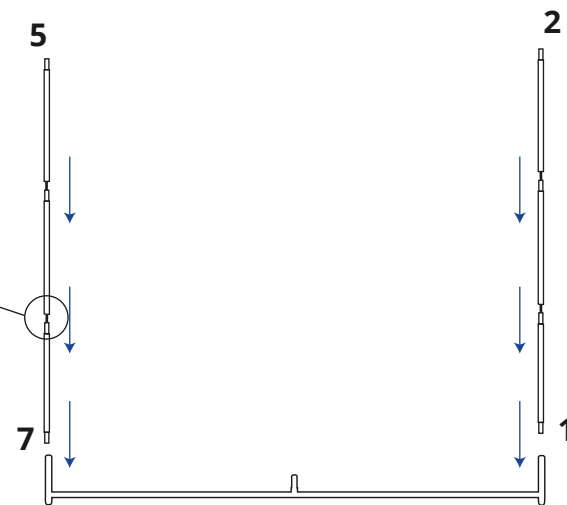
Assembly Instructions



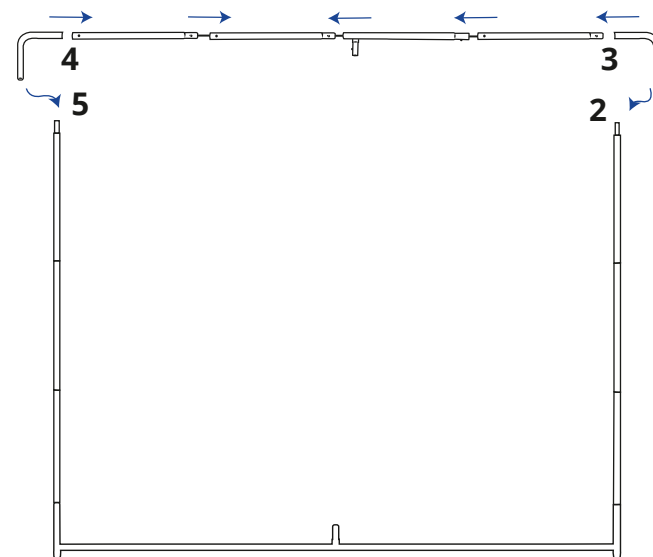
1



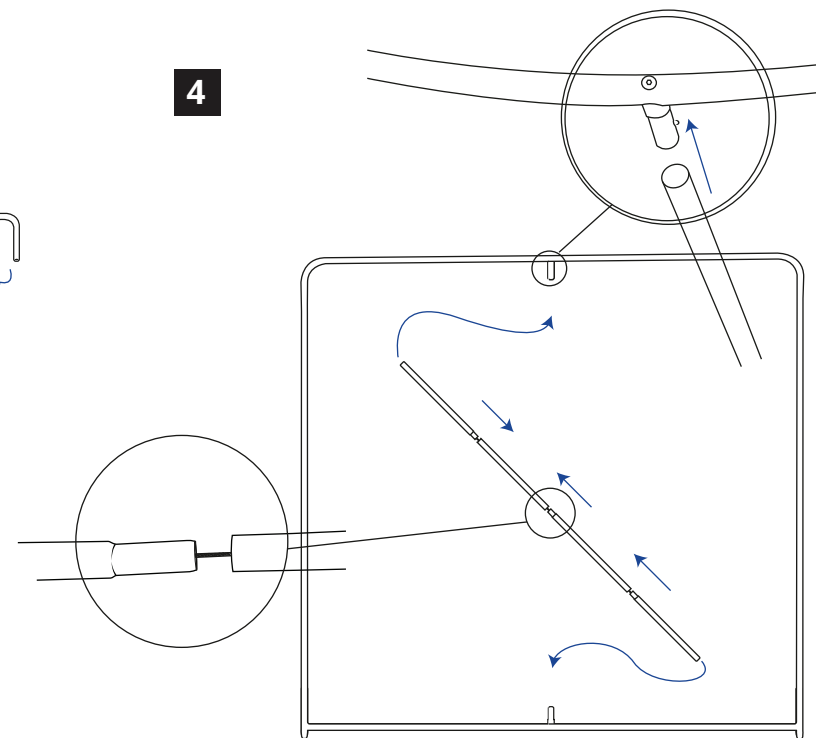
2



3

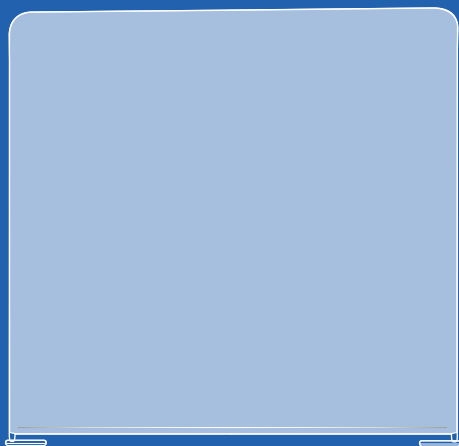


4

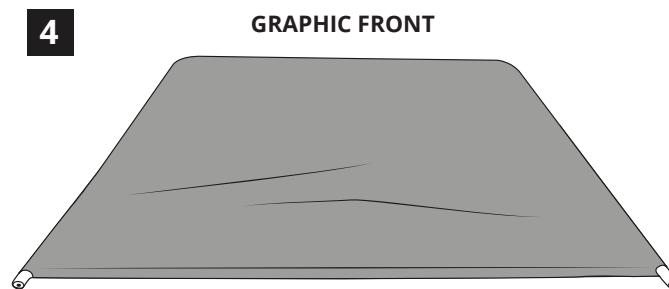
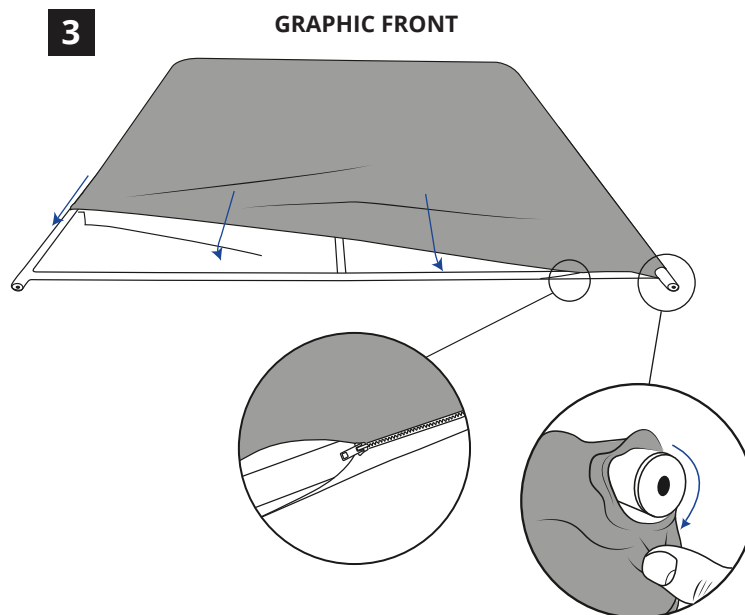
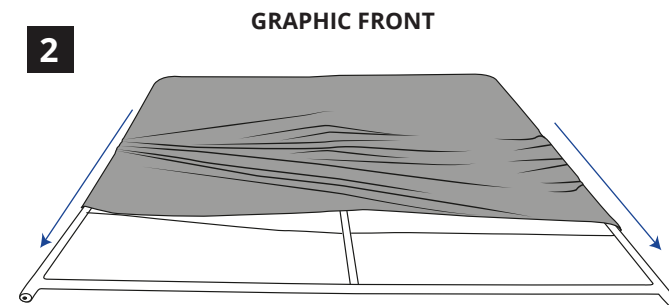
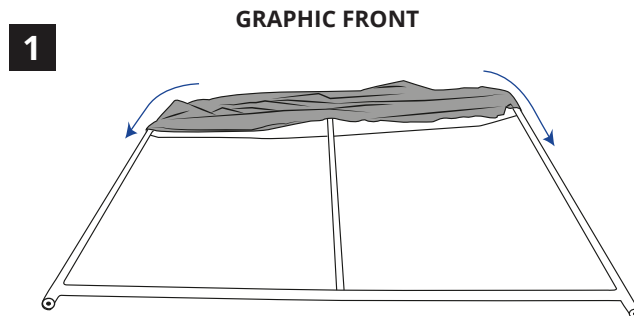


# FORMULATE STRAIGHT FABRIC DISPLAY

Attaching Graphics

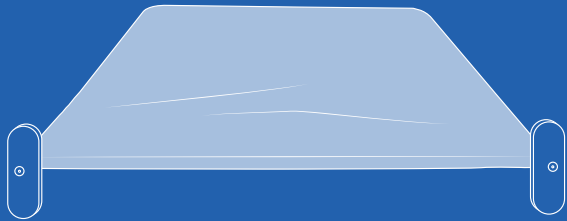


Once the aluminium frame has been assembled, the one-piece fabric sock slides over the frame to create a tensioned fabric exhibition with seamless graphics.



# FORMULATE STRAIGHT FABRIC DISPLAY

Attaching Stabilising Feet



The supplied Allen key is used to attach the three stabilising feet to the bottom of the frame.

