

# GRIFFIN EXHIBITION CASE

## FEATURES:

- Wheeled Exhibition Counter Case
- Large Transport Case 990mm x 640mm / 11kg
- Black Rotor Moulded MDPE Hard Case
- Includes Printed Graphic & Folding Top
- Ideal For Storage And Transportation
- Black Counter Top & Shelves
- Includes 3 Internal Shelves
- Built in Transport Wheels
- Portable & Easy To Transport To Events

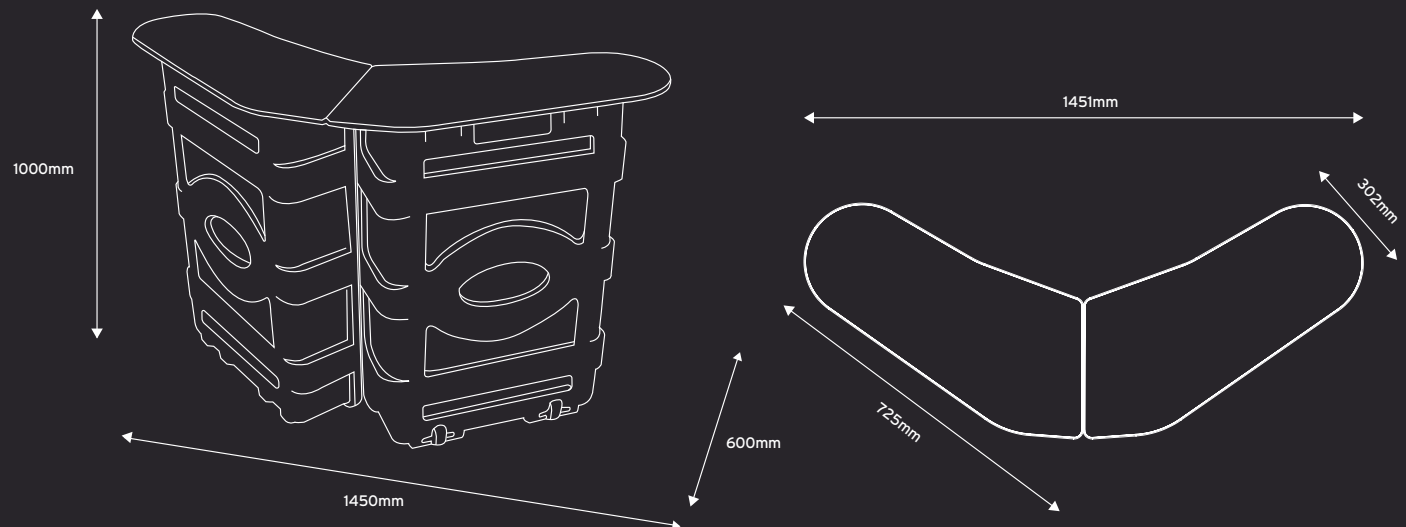


Includes Printed Graphic & Folding Top



Includes 3 Internal Shelves

## DIMENSIONS:



01733 511030  
sales@xldisplays.co.uk