

HOW TO MEASURE YOUR DESK FOR A DESK SCREEN

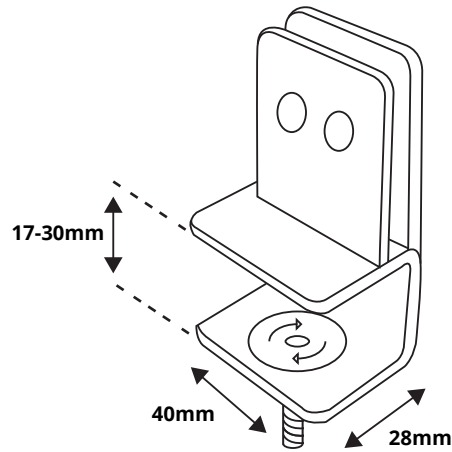
For Frameless Perspex Screens

To ensure that the desk screen you order fixes to your desk correctly it is important that you measure your desk correctly.

The standard clamp we supply with our desk screens is a 'C' shaped clamp and adjusts to fit desks that are 17-30mm thick. This clamp also needs a clearance of 28mm on top and underneath the desk. The acrylic screen slots into the clamp and is held in place with 2 grub screws. The clamp can be attached anywhere along the screen so can be moved to avoid any obstructions under the desk.

If your desk is more than 30mm thick please contact us on **01733 511030** for other clamp options. Please note, there may be a charge for substitute clamps.

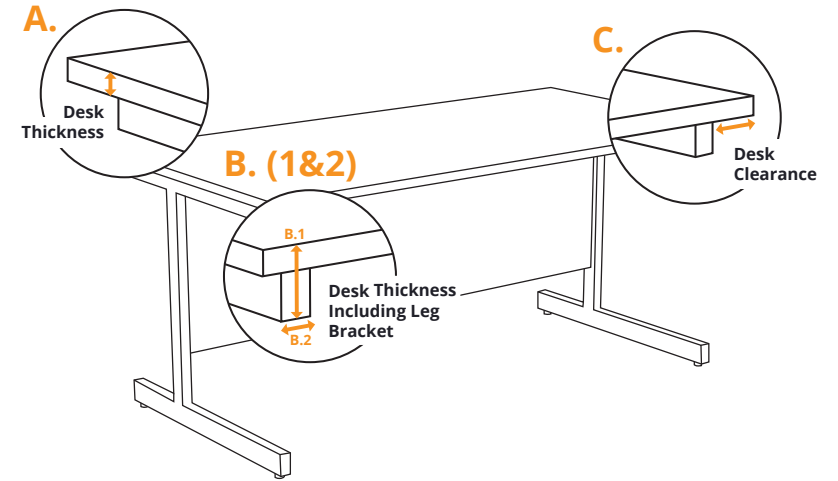
CLAMP DIMENSIONS:



DESK MEASUREMENTS

Please provide measurements for sections **A**, **B (1&2)** and **C**.

For assistance call us on **01733 511030**



CLAMP POSITION:

Frameless Perspex Screens have clamps that can slide and be positioned anywhere along the bottom of the screen (as long as your tabletop thickness doesn't exceed the maximum measurement of 33mm). As the clamps are not in a fixed position, if you encounter an obstruction, simply slide the clamp along the bottom of the screen/desk and position it in a more suitable location.

For This Example:

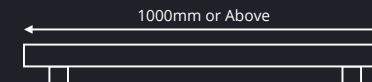
There is an obstruction of a leg bracket along the desk which exceeds the maximum clamp opening. Therefore the clamps will need moving to a more suitable location in order to mount the screen securely.

Back View of Desk - Ensure No Obstructions

1000mm and Above



Mountable anywhere along the base of the screen

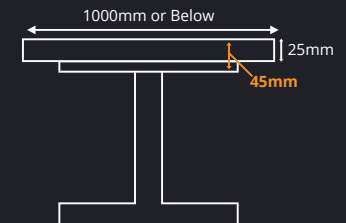


Side View Of Desk

1000mm or Below



Mountable anywhere along the base of the screen



01733 511030
sales@xldisplays.co.uk