

# HOW TO MEASURE YOUR DESK FOR A DESK SCREEN

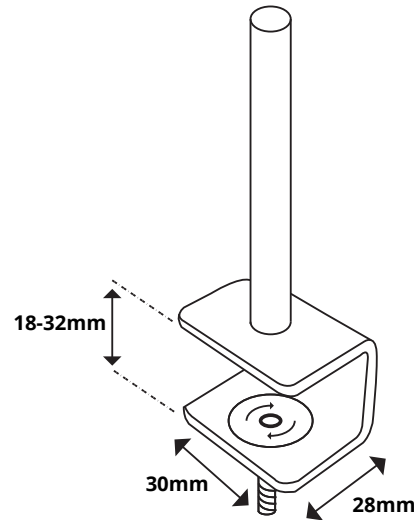
For Spectrum Fabric Ranges

To ensure that your desk screen fixes to your desk correctly it is important that you measure your desk correctly. This guide is for our Spectrum Fabric Screens. For other ranges please see the relevant guide.

The standard clamp we supply with our desk screens is a 'C' shaped clamp and adjusts to fit desks that are 18-32mm thick. This clamp also needs a clearance of 28mm on top and underneath the desk. If there are any obstructions under the desk where the clamp will fit, such as leg brackets, then you need to include these in the measurement - see diagrams.

If your desk is more than 32mm thick please contact us on **01733 511030** for other clamp options. Please note, there may be a charge for substitute clamps.

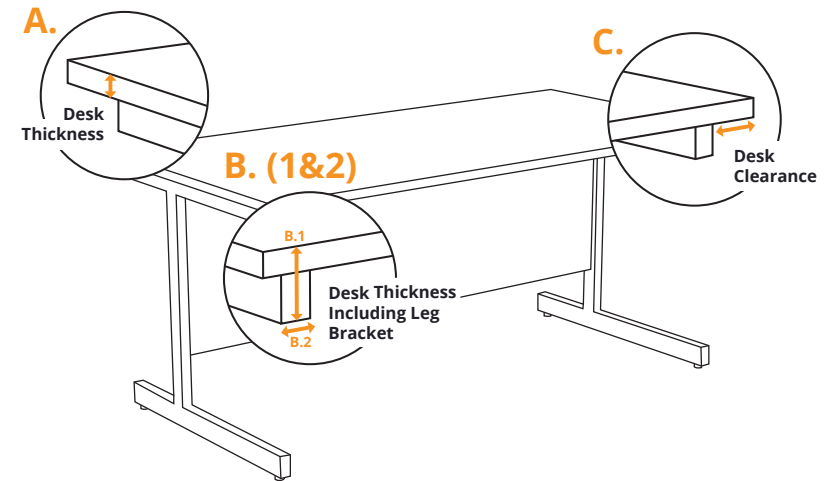
## CLAMP DIMENSIONS:



## DESK MEASUREMENTS

Please provide measurements for sections **A**, **B (1&2)** and **C**.

For assistance call us on **01733 511030**



## CLAMP POSITION:

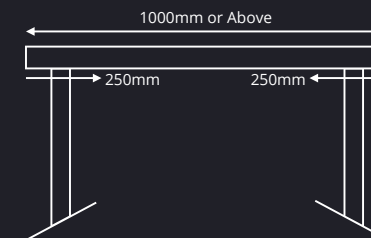
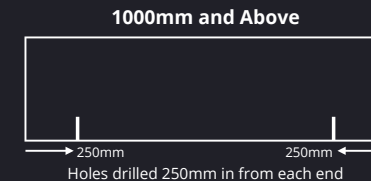
We drill the holes in the desk screen for the clamps at a certain distance in from each end. Please ensure that you measure this distance in from the edge of your desk and ensure there are no upright obstacles in the way, e.g desk legs, brackets etc.

On desk screens that are 1000mm wide and below the clamp holes are drilled 150mm in from each end. On desk screens that are over 1000mm wide, the clamp holes are drilled 250mm in from each end.

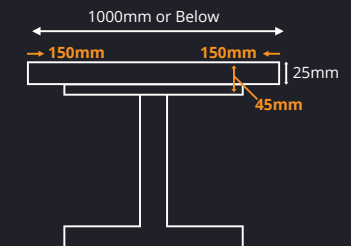
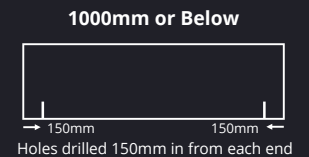
### For This Example:

There is an obstruction of a leg bracket **150mm** in from the end of the desk. Therefore need to include this when measuring desk thickness. You will need a clamp to fit **45mm** thick desk.

### Back View of Desk - Ensure No Obstructions



### Side View Of Desk



01733 511030  
sales@xldisplays.co.uk