

HOW TO MEASURE YOUR DESK FOR A DESK SCREEN

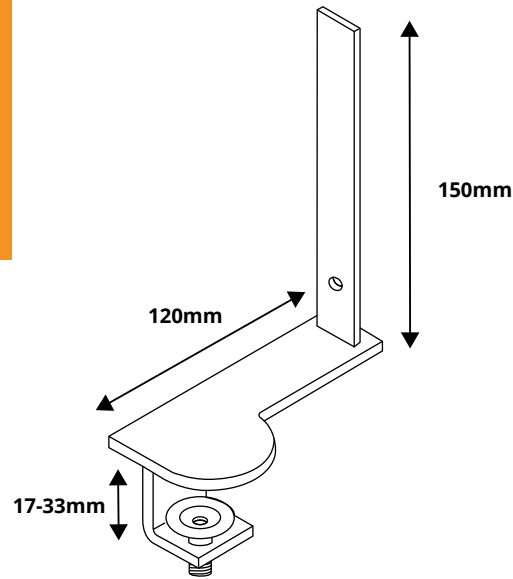
For Quad Tool Rail Desk Screen

To ensure that the desk screen you order fixes to your desk correctly it is important that you measure your desk accurately. This guide is for our Quad Tool Rail Desk Screens in the Premium Acoustic and Glazed Desk Screen Ranges.

The standard clamp we supply with our desk screens is a 'C' shaped clamp and adjusts to fit desks which are 17-33mm thick. This clamp need a clearance of 30mm on top and underneath the desk. If there are any obstructions under the desk where the clamp will fit, such as leg brackets, then you need to include these in the measurement - See diagrams.

If your desk is more than 33mm thick, or there are obstacles where the clamps need to fit, then please contact us on **01733 511030** for other clamp options. Please not there may be a charge for substitute clamps.

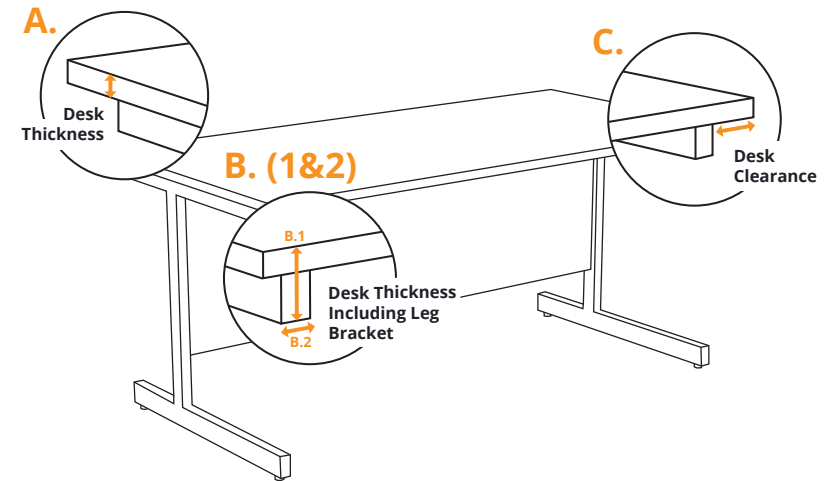
CLAMP DIMENSIONS:



DESK MEASUREMENTS

Please provide measurements for sections **A**, **B (1&2)** and **C**.

For assistance call us on **01733 511030**



CLAMP POSITION:

Clamps are fixed to the end of each screen and cannot be moved. For our Quad Tool Rail Desk Screens, clamps are fitted **120mm** in from each end. Please ensure that you measure this distance from the edge of your desk to ensure there are no obstacles in the way, e.g. desk legs, brackets.

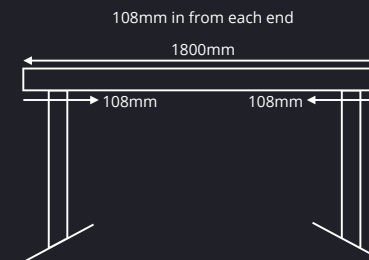
For This Example:

There is an obstruction of a leg bracket **120mm** in from the end of the desk. Therefore need to include this when measuring desk thickness. You will need a clamp to fit a **45mm** thick desk.

1800mm Desk Screen



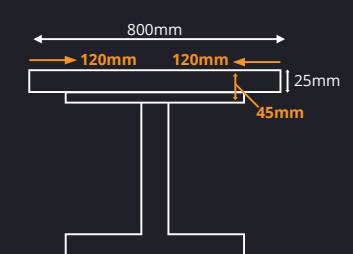
Back View of Desk - Ensure No Obstructions



800mm Desk Screen



Side View Of Desk



01733 511030
sales@xldisplays.co.uk