

ILLUMIGO LED COUNTER LIGHTBOX

With Double Sided Backlit Fabric Graphics. Lightweight & Portable illuminated Counter.

FEATURES:

- Double Sided LED Counter Light Box
- Portable & Lightweight Exhibition Counter
- Double Sided Printed Graphics
- Quick & Easy Tool-Free Assembly
- Number-Coded Assembly For Ease
- Features Pre-Installed LED Lights
- Efficient, Energy Saving LED Lighting
- Includes Specially Designed Carry Box
- 1 Year Warranty on Hardware
- Designed & Manufactured in The UK

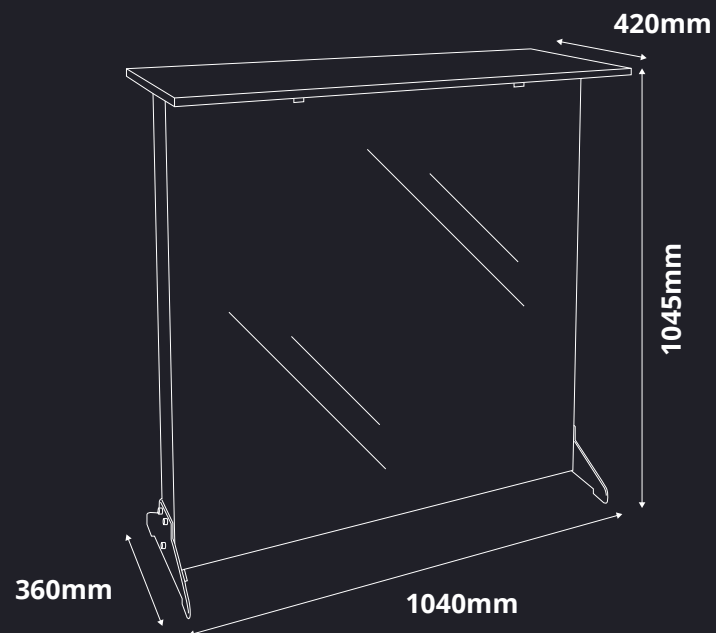


LED lights built into the frame.



Freestanding counter with tool-free assembly

DIMENSIONS:



Dimensions:

1045 (h) x 1040 (w) mm

Front-to-back counter top depth: **420mm**

Front-to-back foot depth: **360mm**

Weight: **5.19 (kg)**

Carry Case Boxed Dimensions

925 (W) x 225 (h) x 312 (d) mm



01733 511030
sales@xl displays.co.uk