

POP UP STAND

Assembly Instructions



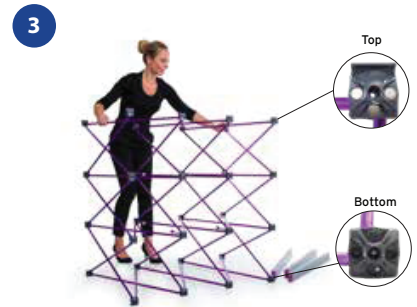
01733 511030
sales@xldisplays.co.uk



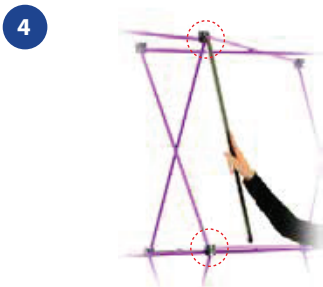
Pop Up Stand Kit Includes:
Aluminium frame, magnetic bars,
printed graphic panels, Zeus
transport case, printed graphic
wrap for Zeus case and spotlights.
Please note: the contents of the
kit will vary with stand size.



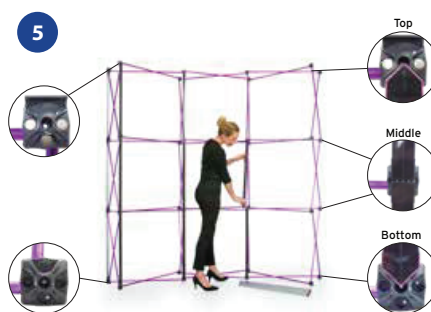
Take the pop up frame out of
the carry bag. Holding the
sides, extend the frame
outwards to open the pop up.



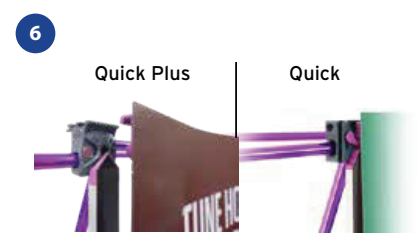
Continue to extend outwards
until the frame clicks into place.



To finish building the frame
simply place the magnetic
bars into the magnetic node
slots as shown.



Ensure all top, middle and bottom
magnetic bars are attached to
the frame in their position,
including rear bars for the back
of the stand. Our Quick Plus
system is shown above.



Carefully unroll each graphic panel
and hook the top of each panel onto
the retaining hooks at the top of the
frame. The self-locating magnetic
hook on the Quick Plus system will
click into position to secure your
graphic panel. Please check to see if
your system is Quick Plus or Quick
as shown above.



Hang the graphic panels
starting at one end and
secure each panel along the
top, lining up the graphics as
you go along.



Ensure the graphics line up with the
magnetic strips running vertically
down each section of the frame.

**Re-position the graphics as needed
for perfect alignment.**



The Pop Up Stand is now ready
for your exhibition.

ZEUS CASE GRAPHIC WRAP

Assembly Instructions



01733 511030
sales@xldisplays.co.uk

1



From the back of your case, take the graphic wrap and wrap it around the front and around towards you at the back.

2



Pull the graphic wrap tight around the case, ensuring there is no slack .

3



Keep a tight tension on the graphic wrap and line up the magnetic fastening strips down the back of the panel .

4



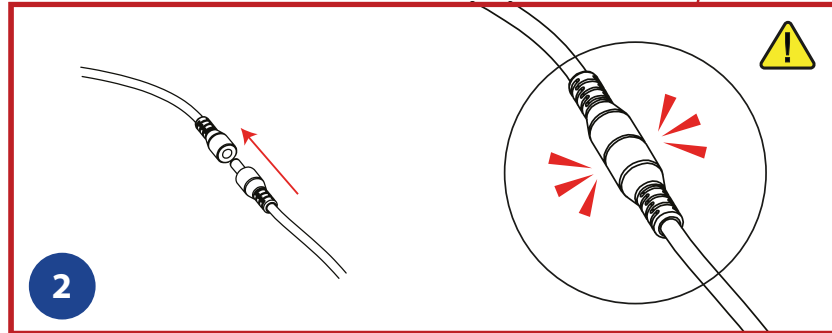
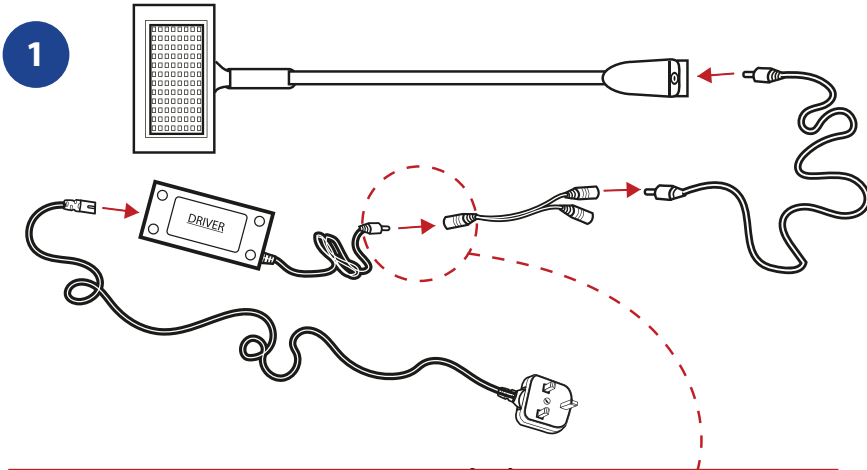
You are now ready for your exhibition

POP UP STAND SPOTLIGHTS

Assembly Instructions



01733 511030
sales@xldisplays.co.uk



Dimensions: 425mm (l) x 103mm (w) x 29mm (d)

Weight: 0.21kg (approx)

12-watt low power consumption

1200 lumen output

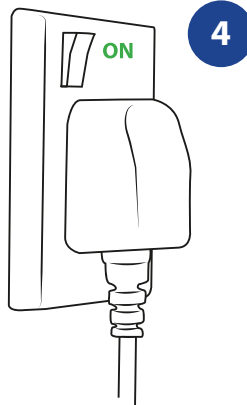
5600k colour temperature

CRI 85+

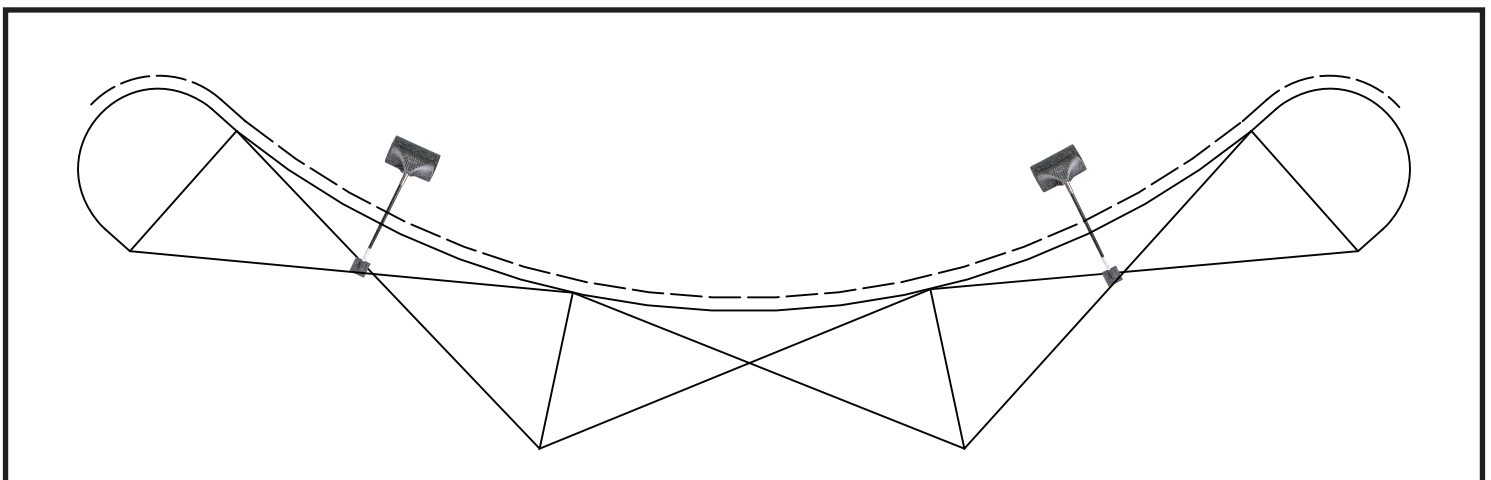
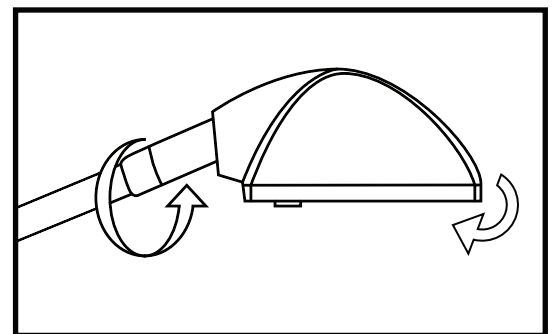
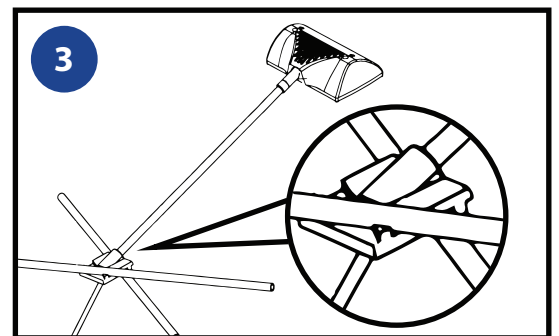
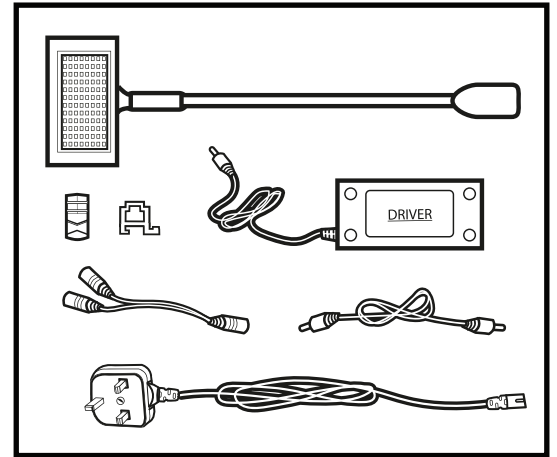
5m cable length from light to socket

CAUTION

- * DRY LOCATION ONLY
- * DO NOT PLACE ANY OBJECT ON THE LIGHT FIXTURE
- * DO NOT TOUCH THE LIGHT HEAD WHILST ON
- * INDOOR USE ONLY
- * HOLD THE MAIN LIGHT ROD AND HEAD FIRMLY WHEN ROTATING THE LIGHT HEAD FOR POSITIONING
- * TURN THE LIGHT OFF AND ALLOW THE LIGHT TO COOL DOWN BEFORE PACKING AWAY AFTER USE



Whats Included:



QUICK PLUS MAG BAR

Assembly Instructions



01733 511030
sales@xldisplays.co.uk

