

BOLLARD COVERS

FEATURES:

- Custom Bollard Cover Printing
- Effective Advertising Banner
- Fits Bollard Diameter 100-200mm
- Triangle or Square Slip Over Sleeve
- 3 Heights Available - 800, 1000, 1200mm
- 3mm Correx Bollard Covers
- Quick & Easy to Deploy
- Graduated Tabs For Tool-Free Assembly
- Weatherproof & Durable Bollard Signs
- Sold in Pack Quantities
- Manufactured in the UK



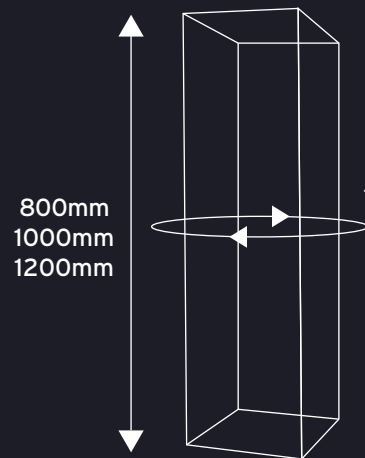
Triangle or Square Slip Over Sleeve



Effective Advertising Barriers

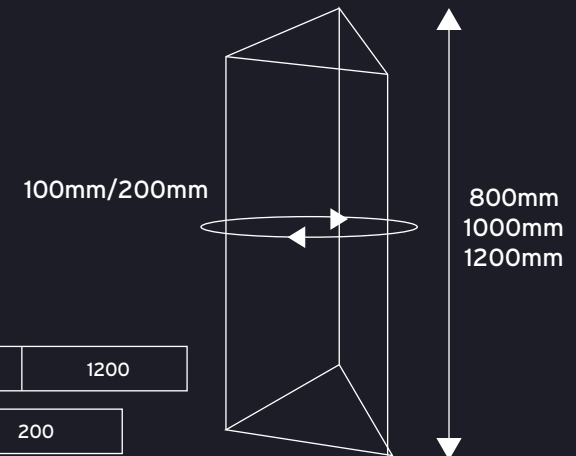
DIMENSIONS:

BOLLARD COVER



HEIGHT (mm)	800	1000	1200
-------------	-----	------	------

DIAMETER (mm)	100	200
---------------	-----	-----



01733 511030
sales@xldisplays.co.uk