

# PRINTED RETRACTABLE QUEUE BARRIERS ROLLERSIGNS

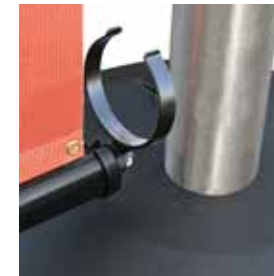
Retrofits Existing Belt Barriers. Easy Install, For Indoor & Outdoor Use

## FEATURES:

- RollerSigns Printed Queue Barriers
- Includes Printed Graphics & Post Adaptors
- Retrofits Existing Retractable Barriers
- Ideal Social Distancing Signage
- Directs Foot Traffic / Manages Queues
- Fits Posts Between 64-70mm (dia)
- For Indoor & Outdoor Use
- Printed PVC or Mesh Graphics
- Fast, Tool Free Installation
- Replacement Graphics Available
- Printed & Manufactured in the UK

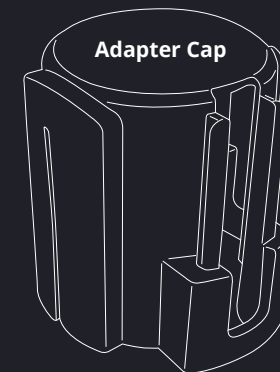
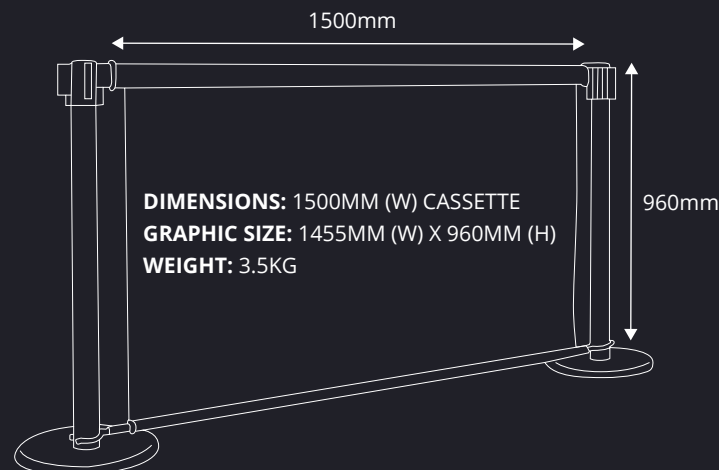


Includes Post Adapters.  
Fits Posts Between  
64-70mm (dia)



Retrofits Existing  
Retractable Barriers

## DIMENSIONS:



Adapter Caps come in two sizes, **64mm** or **70mm**.  
Each has an allowance for 1mm either side.

- The **64mm** Adapter Cap will fit post diameters of **63-65mm**
- The **70mm** Adapter Cap will fit post diameters of **69-71mm**



01733 511030  
sales@xldisplays.co.uk