

QUEUE BARRIER DISPLAY BOWL

FEATURES:

- Display Bowl for Queue Barriers
- Fits Most Major Barrier Brands
- POS Display For Queueing Customers
- Effective Merchandising Tool
- Encourage Impulse Buys
- Durable Crystal Clear Polycarbonate
- Scratch-Resistant Finish
- Complete With Universal Post Adaptor
- Quick & Easy to Attach to Post
- 3 Year Warranty

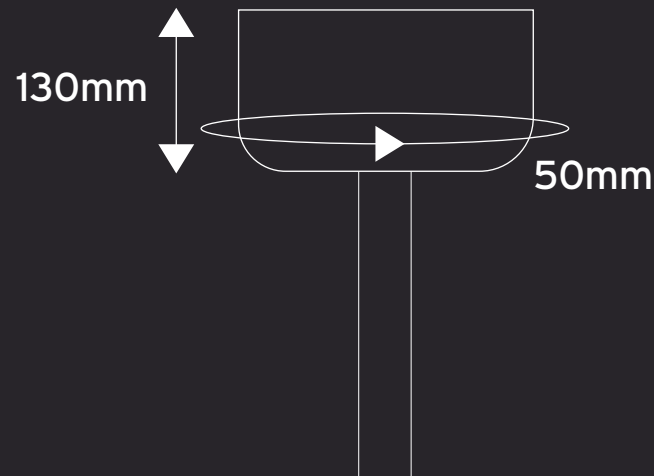


Scratch Resistant Finish



Available
With Optional
Sign Frame

DIMENSIONS:



DIAMETER: 50MM
DEPTH: 130MM
WEIGHT: 0.55KG



01733 511030
sales@xldisplays.co.uk