

# RETRACTABLE BARRIER STANCHION POSTER FRAME HOLDER A4

Technical Specification

A4 Poster Holder For Retractable Queue Barriers  
Silver Post. Ideal For Guiding Customers &  
Communicating Messages or Promotions.

## FEATURES:

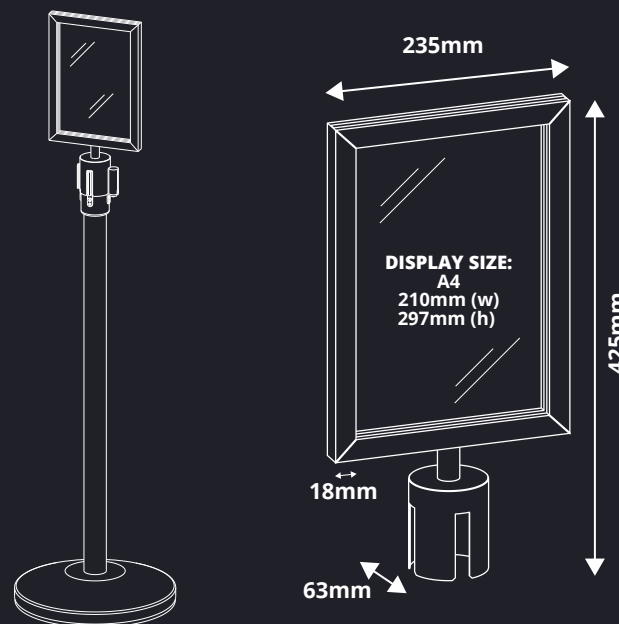
- Retractable Barrier Post Sign
- A4 Poster Frame Holder
- Stainless Steel Portrait Sign Holder
- Show Messages or Promotions
- Effectively Communicate Safety Info
- Complete With Post Adaptor
- Compatible With Selected Belt Barriers
- Clear Polypropylene Poster Covers Included



01733 511030  
sales@xldisplays.co.uk



## DIMENSIONS:



### A4 POSTER FRAME HOLDER

#### Sizes:

425 (L) X 235 (W) X 63 (D) MM

#### Weight:

1.50KG

#### Box Size:

430 (L) X 235 (W) X 85 (D) MM