

QUEUE BARRIER SIGN FRAMES

FEATURES:

- Queue Barrier Signs Holders
- Fits Most Major Barrier Brands
- POS Display For Queueing Customers
- Helps to Organise & Instruct Queues
- Compatible With Post & Rope Barriers
- Compatible With Retractable Barriers
- A3 and A4 Poster Frame
- Black & Chrome Finish
- Quick & Easy to Attach to Post
- Complete With Post Adaptor
- 3 Year Warranty



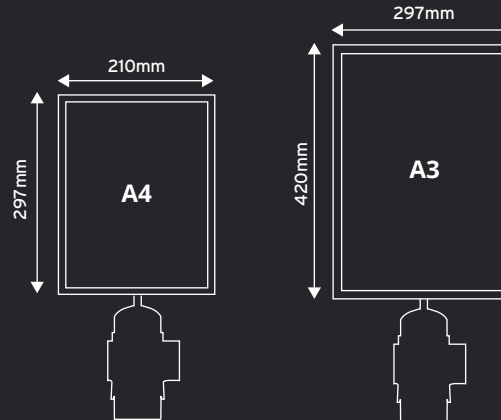
Black, Chrome



A3 and A4 Poster Frame

DIMENSIONS:

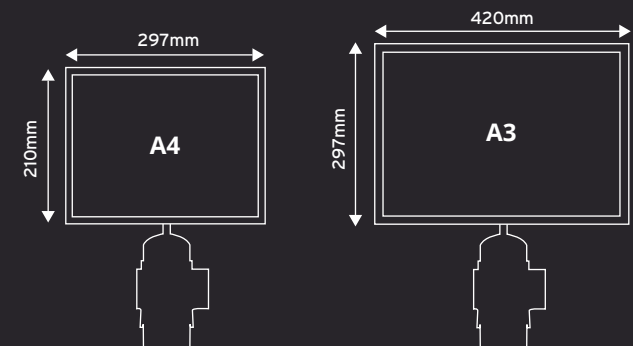
VERTICAL SIGN FRAME



HEIGHT: 297MM
WIDTH: 210MM
WEIGHT:
BLACK: 0.49KG
CHROME: 0.54KG

HEIGHT: 420MM
WIDTH: 297MM
WEIGHT:
BLACK: 0.54KG
CHROME: 0.59KG

HORIZONTAL SIGN FRAME



HEIGHT: 210MM
WIDTH: 297MM
WEIGHT:
BLACK: 0.49KG
CHROME: 0.54KG

HEIGHT: 297MM
WIDTH: 420MM
WEIGHT:
BLACK: 0.54KG
CHROME: 0.59KG



01733 511030
sales@xldisplays.co.uk