

ROPEMASTER STAND AND ROPE BARRIERS

FEATURES:

- Post For Rope Barrier System
- Effective & Practical Rope Barrier
- High Quality Steel Stanchions
- Heavy Duty Concrete-Filled Bases
- Full Circumference Floor Protector
- 3 Post Top Cap - Ball, Flat or Crown
- Three Post Finishes
- Durable Forged Rope Loops
- Barrier Ropes Available Separately
- 3 Year Warranty
- UK Manufactured

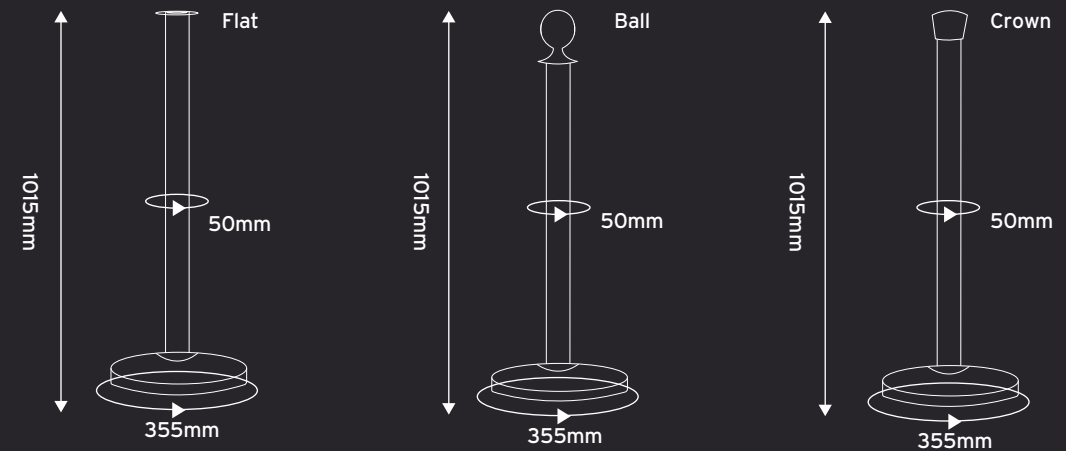


Choice of Three Colour Posts



Heavy Duty Concrete-Filled Bases

DIMENSIONS:



	HEIGHT (MM)	WEIGHT (KG)	POST DIAMETER (MM)	BASE DIAMETER (MM)
FLAT	990	9	50	355
BALL	990	9	50	355
CROWN	990	9	50	355



01733 511030
sales@xldisplays.co.uk