

SIGNAL DOUBLE SIDED FOLDING A BOARD STREET SIGN

FEATURES:

- Outdoor A-Frame Street Sign
- Integrated Carry Handle and Wheels
- Foldable for Space Saving & Storage
- Heavy Duty Sandwich Board
- Locking Poster Covers
- Black Weatherproof HDPE Construction
- Weatherproof PET Poster Covers Included
- Double Sided Poster Display
- Pre-Assembled & Ready for use



Black Weatherproof
HDPE Construction



Double sided
poster display

DETAILS:

Made of durable HDPE, the SIGNAL A1 Street Advertising Board holds two poster signs in A1 size and includes anti-glare and UV-resistant poster covers. This sign is weather resistant and can be used outdoors.

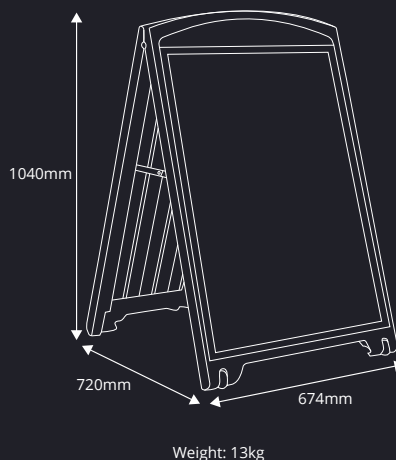
The SIGNAL sandwich board sign has an innovative, patented design which removes the need for filling with water or sand for stability due to the heavy-duty construction. Built for outdoor use with two high-grade locking hinges that hold the pavement sign in the A-Frame position for maximum stability. Wind resistant in low to medium wind speeds and ideal as shop signs and high street advertising.

SIGNAL A-Frame Sign is tool free from assembly to changing the posters. Frame covers are locked with a hidden locking system to prevent unauthorised access to the posters. Access the poster covers with a flat-head screwdriver or coin.

Moulded carry handle is innovatively integrated into the heavy-duty sandwich board frame. The SIGNAL A-Board sign will never rust and requires no maintenance or servicing.

Poster display street sign can hold two graphics at A1 size (594mm X 841mm), that are covered by anti-glare and UV resistant protective poster covers which click into place. Just add posters.

The SIGNAL outdoor sandwich board folds flat for easy storage and features an integrated carry handle and transport wheels, making it easy to deploy and store without the need for heavy lifting.



01733 511030
sales@xldisplays.co.uk