

# SAFETYMASTER RETRACTING SAFETY BARRIERS

## FEATURES:

- Functional & Practical Design
- High Visibility Belt Barriers
- Internal Belt Brake & Slow Retract
- 3.4m Expanding Barrier Tape
- Steel Post With Powder-Coated Colours
- Red or Yellow or Orange Stanchions
- Full Circumference Floor Protector
- Printed Safety Message Belts
- Universal Belt End As Standard
- 3 Year Warranty
- UK Manufactured

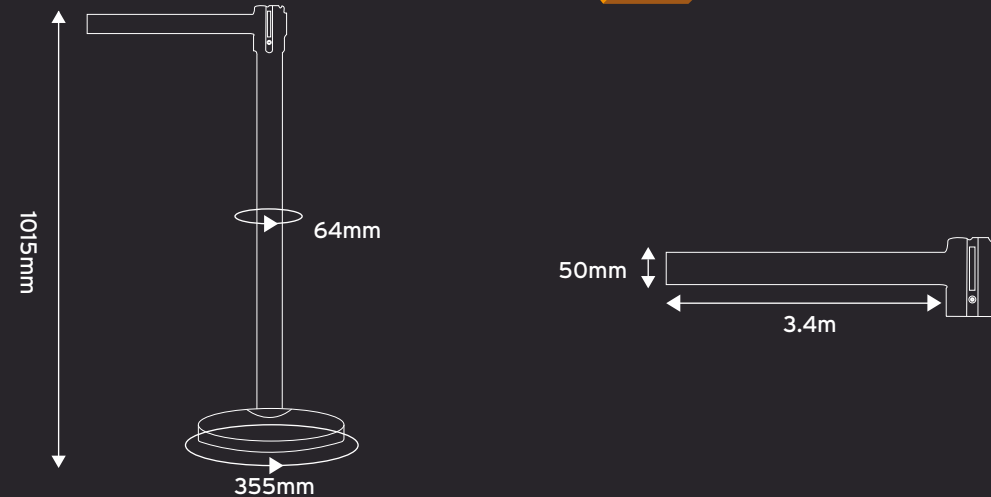


Choice of Three Colour Posts



Printed Safety Message

## DIMENSIONS:



HEIGHT (MM)	WEIGHT (KG)	POST DIAMETER (MM)	BASE DIAMETER (MM)	BELT WIDTH (MM)	BELT LENGTH (M)
1015	9	64	355	50	3.4



01733 511030  
sales@xldisplays.co.uk