

MAGNETIC RECEIVER CLIP

For SkipperQ Modular Queue Barrier.

The Skipper magnetic receiver clips allow the tape end to attach direct without the need for another Skipper unit. The non-marking magnetic version is perfect for attaching the end clip to vehicles and metal shelving. Simply place the receiver clip onto the desired metal surface. Any Skipper tape end clip will then slide into the receiver clip.

FEATURES:

- Attach any Skipper tape end clip to a magnetic surface to end a line
- Soft pads to prevent scratching to surfaces
- Use with Skipper or Skipper XS unit tape end clips



Receiver clips can be used with both the Skipper and Skipper XS units.

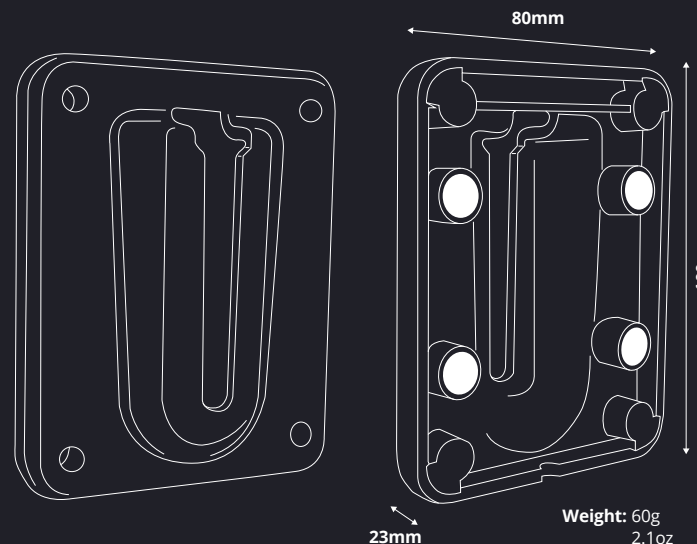


Attaches to all magnetic surfaces.

DIMENSIONS:

FRONT

BACK



Q. Can I also screw the magnetic receiver clip to a wall?

A. No, the magnetic receiver clip has soft pads inserted into the back of the screw holes to prevent scratching to metal surfaces. You should purchase the wall receiver clip if you intend to screw the clip into position.



01733 511030
sales@xldisplays.co.uk