

# POST & BASE COLLAR

For SkipperQ Modular Queue Barrier.

The Post & base collar attaches firmly to the post by simply sliding over the top and seating into position. It provides a strong platform for attaching the Skipper recycle bins, safety dispensers and sanitiser brackets. After the post & base collar is attached, the Skipper unit can snap-fit to the post as usual, providing a unique combination of a 9m (30ft) barrier and recycling point. A sign holder can also be attached to either the Skipper unit or the post & base cap to display your messages.

## FEATURES:

- Turns the Skipper post & base system into a free-standing safety station
- Connect up to 2 recycle bins, 2 safety dispensers and hand sanitiser brackets
- Fast installation, simply slide over post in seconds for snug fit
- Slides over the top of the Skipper post & base system and seats into position
- Still allows the Skipper unit, sign holder and safety light to be attached as usual
- Can also hold sanitiser bracket for full safety station capability

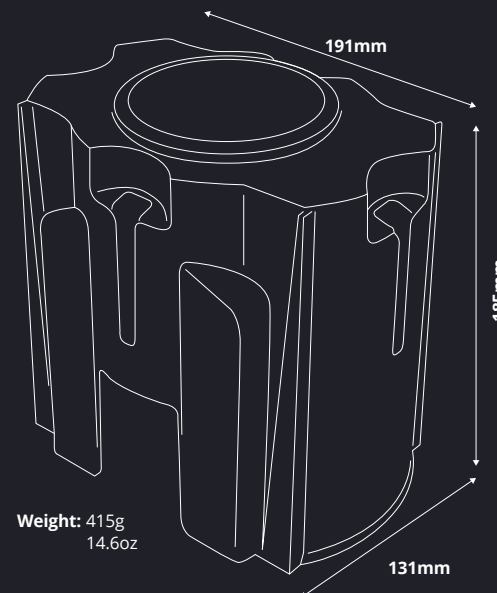


Slide the collar down over the post until it seats into position, then attach recycle bins, safety dispensers and other Skipper products such as the Skipper unit



Attach multiple recycling bins or safety dispensers

## DIMENSIONS:



**Q.** How much weight can the collar hold?

**A.** The post & base collar is very robust and will accommodate 2 recycle bins (with up to 15kg contents each), 2 safety dispensers and sanitiser brackets.

**Q.** It looks quite bulky - is it?

**A.** No, the post and base collar has a very slim profile. Through the edition of other Skipper waste & safety management products, it allows for a full station to be provided from one small footprint.



01733 511030  
sales@xldisplays.co.uk