

# RECYCLING BIN

For SkipperQ Modular Queue Barrier.

The Skipper recycle bin is a robust and durable attachment for multi-purpose waste and recycling use. Up to two recycle bins can attach to the Skipper post & base system via its collar to create a fully free-standing safety & recycling station. The bins can also be attached to walls, magnetic surfaces, glass and high gloss surfaces, trees, posts and many more via the Skipper wall & magnetic receiver clips, suction pad holder/receivers and cord strap clips.

## FEATURES:

- Versatile design allows the recycle bin to attach to almost any surface
- Available in a range of lid colours (orange, green, red, blue, silver)
- Lightweight, durable design
- Internal grab mechanism to neatly hold
- Connects to the post & base collar, cord strap clip, wall clip and suction pad bracket
- Holds up to 15KG
- Supplied with stickers to designate general waste or recycling use



01733 511030  
sales@xl\_displays.co.uk

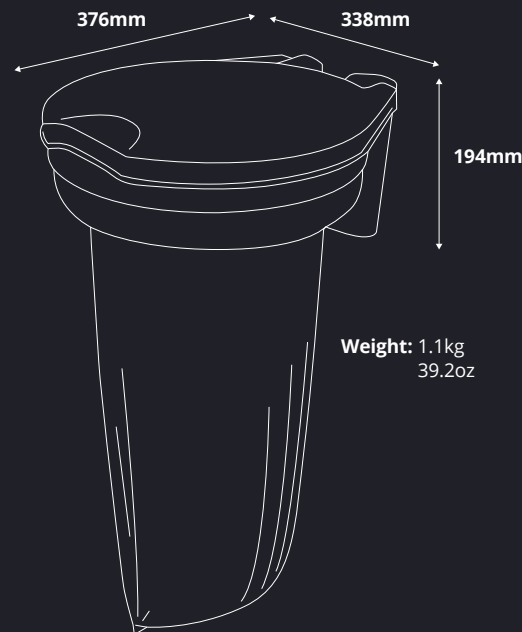


2 recycle bins can be attached to the Skipper post and base system via the post & base collar



Ideal for Shops, Malls, Airports, Hospitals, Restaurants, Cafes, Bars & More

## DIMENSIONS:



- Q.** What types of bag should be used with the recycle bin?
- A.** You can use any standard sized bag (simply lift the outer and inner lid and tuck the bag into the groove).

- Q.** What should I use the bin for?
- A.** The bin is designed to be used in a range of sectors including cleaning & hygiene, utilities, facilities management and construction (up to 15KG weight).

- Q.** Why should I choose a sack holder?
- A.** The Skipper sack holder offers a great waste management solution. As the sack is opened, you can clearly see its contents which aids effective waste separation and combats the growing challenge of contamination.