

A4 SIGN HOLDER

For SkipperQ Modular Queue Barrier.

This A4 sign holder is designed for use with both Skipper and Skipper XS units. Its functional design makes it a great complement to the Skipper product range, allowing you to easily display warnings, promotional messages and directions. Simply insert your A4 message into the polycarbonate sleeve, and slide into the robust u-shaped frame. Twist off the Skipper or Skipper XS unit's top cap and twist the sign holder into position.

FEATURES:

- Perfect for displaying your warnings, promotions and messages
- Very easy to insert or replace messages and signs
- Made from robust materials for use in outdoor environments
- Supplied with everything you need to attach to a Skipper unit or a Skipper XS unit



01733 511030
sales@xldisplays.co.uk

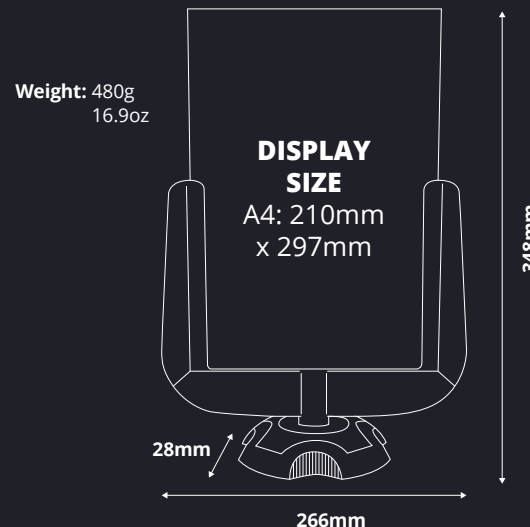


The sign holder is supplied with its own top cap and fixings, which allow it to fit onto the Skipper or Skipper XS units.



Ideal for safety instructions

DIMENSIONS:



Q. What size paper should I print for use with the Sign holder?

A. The sign holder is designed to accommodate the standard A4 paper size.

Q. How do I attach the sign holder to the Skipper unit?

A. Each sign holder is supplied with a special top cap, which replaces the one on the one supplied with the Skipper unit (simply twist anti clockwise to remove). Attach the sign holder to its top cap using the provided screw and washer, then twist onto the Skipper unit. Instructions are provided.