

SKIPPER™ BARRIERS A4 SIGN HOLDER

FEATURES:

- Poster Holder for Skipper™ Barriers
- A4 Sign Holder For Retracting Barriers
- Compatible With Multiple Skipper Barriers
- Simple & Easy To Use
- Displays Important Safety Information
- U-Shaped Frame With Polycarbonate Cover
- Suitable for Indoor/Outdoor Use
- Market-Leading Safety Barrier
- UK Designed & Manufactured

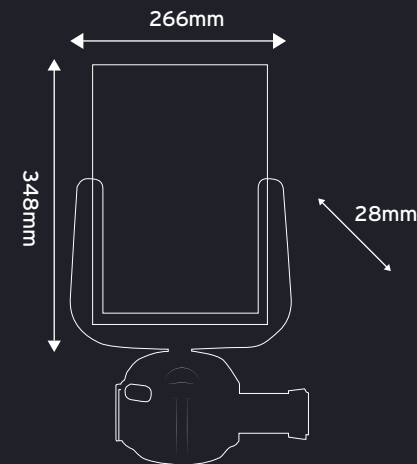


Compatible with multiple Skipper barriers



Suitable for indoor and outdoor use

DIMENSIONS:



01733 511030
sales@xldisplays.co.uk

| WIDTH | HEIGHT | DEPTH | WEIGHT |
|---------------|---------------|-------------|---------------|
| 266mm / 10.5" | 348mm / 13.7" | 28mm / 1.1" | 480g / 16.9oz |