

# SKIPPER™ RETRACTING BARRIER WALL RECEIVERS

## FEATURES:

- Retractable Barrier Wall Clips
- Wall Bracket, Magnetic OR Wrap Around
- Compatible with Skipper™ Accessories
- No Cones or Posts Required
- Construction Sites, Warehouses, Factories
- Suitable for Indoor/Outdoor Use
- Market-Leading Safety Barrier
- Permanent / Semi-Permanent Fixings
- UK Designed & Manufactured

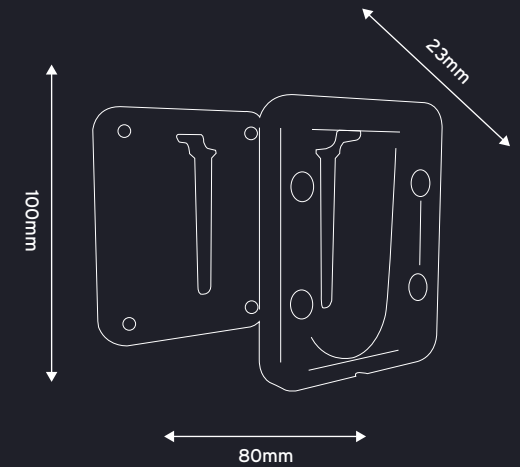
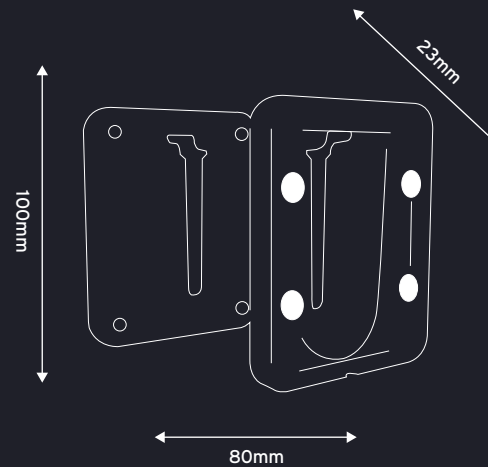


Magnetic Receiver can be attached to vehicles



Wall bracket can be drilled to indoor and outdoor walls

## DIMENSIONS:



MAGNETIC

| WIDTH (MM) | HEIGHT (MM) | DEPTH (MM) | WEIGHT (KG) |
|------------|-------------|------------|-------------|
| 80         | 100         | 23         | 0.06        |

WALL RECIEVER

| WIDTH (MM) | HEIGHT (MM) | DEPTH (MM) | WEIGHT (KG) |
|------------|-------------|------------|-------------|
| 80         | 100         | 23         | 0.045       |



01733 511030  
sales@xldisplays.co.uk