

STANDARD PRINTED BARRIER SYSTEMS

Printed café banner with top cross rail and spring fixings.

FEATURES:

- Choose From Three Widths
- Includes 1x Cross Rail & 2x Bungee Clips
- Supplied in a Black Finish
- Display Polyesters or PVC Graphics
- Single or Double Sided Graphics
- Manufactured in The UK
- 1 Year Warranty (Excluding Graphics)
- Dispatched Within 3-5 Days

Rail: 1000mm (w)

Weight (1x rail): 1.10kgs

Total Graphic Size: 768.5mm (h) x 856mm (w)

Visible Graphic Area: 675mm (h) x 850mm (w)

Rail: 1500mm (w)

Weight (1x rail): 1.4kgs

Total Graphic Size: 768.5mm (h) x 1356mm (w)

Visible Graphic Area: 675mm (h) x 1350mm (w)

Rail: 2000mm (w)

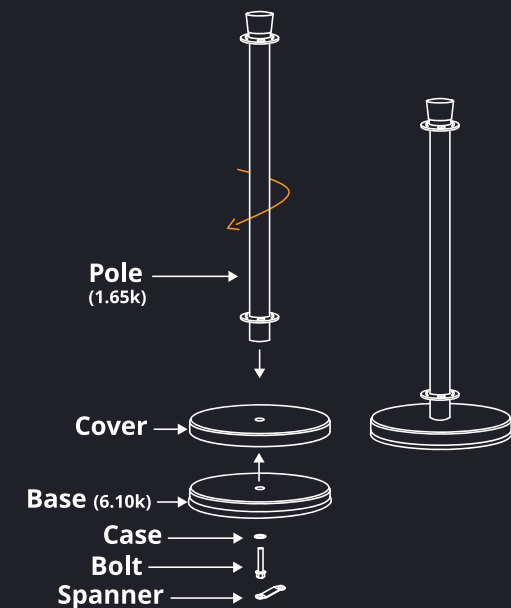
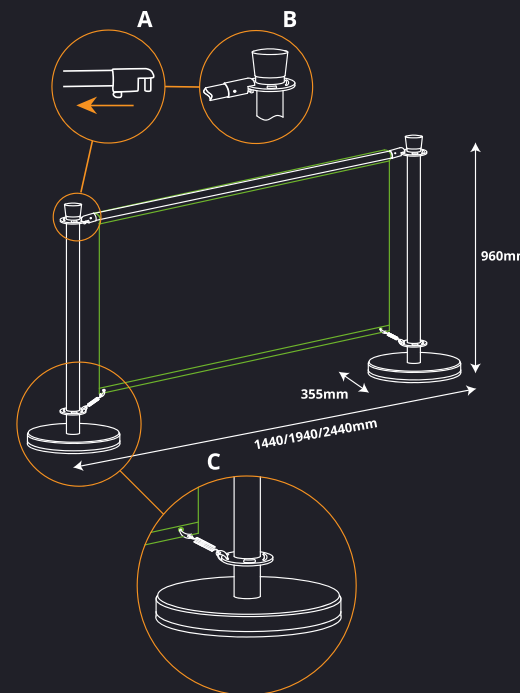
Weight (1x rail): 1.6kgs

Total Graphic Size: 768.5mm (h) x 1856mm (w)

Visible Graphic Area: 675mm (h) x 1850mm (w)



DIMENSIONS:



01733 511030
sales@xl displays.co.uk