

## Dimensions & Weights

<b>WEIGHTS</b> .....	Kg
Top cap .....	<b>0.55</b>
Inner moulding .....	<b>0.56</b>
Bottom moulding .....	<b>0.56</b>
Body panel .....	<b>1.78</b>
Bag.....	<b>1.04</b>

## PACKING

Individual reusable carton.....**1.88**  
 External measurements  
**925mm x 845mm x 82mm**

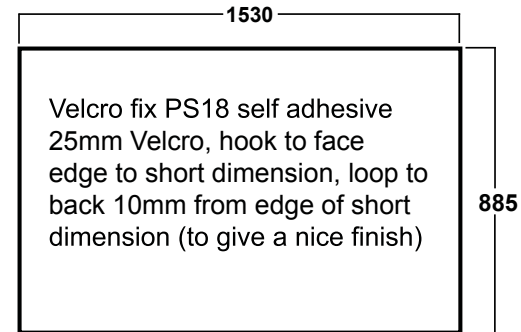
Bulk packing dimensions and weight dependent on number of units required.

*Weights and measurements quoted are approximate.*

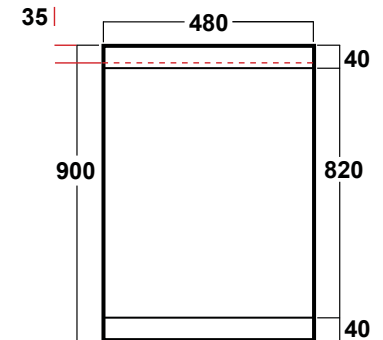
## GRAPHIC INFORMATION

Recommended graphic, print on 150 mic photo-satin paper, encapsulate in 125 mic scuff resistant mattt film, to face, and 125 mic gloss film to back.

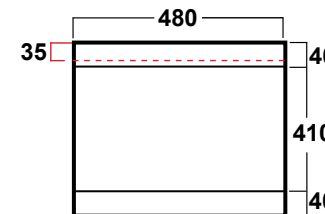
**Graphic visual site size  
 1495mm x 865mm**



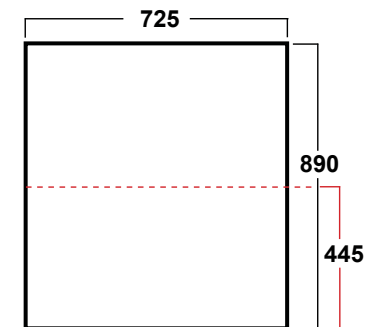
**GRAPHIC WRAP SIZE**



**COMPLETE UNIT  
 (ONCE GRAPHICS ARE APPLIED)**



**COMPLETE UNIT  
 SHORT UNIT**



**BODY PANEL  
 SHORT UNIT**