

TEMPEST WATER BASE PAVEMENT SIGN A1

A1 Size Pavement Sign With Poster
Holder and Water Fillable Base.

FEATURES:

- A1 Pavement Sign With Water Base
- Fillable Base for Water or Sand
- Simple Self-Assembly
- Strong Wind Resistance
- Designed for Outdoor Signage Use
- Weatherproof, Water Resistant Signage
- Aluminium Snap Poster Frame Holder
- Acetate Protective Poster Cover Included
- Poster Printing Available
- Forecourt, Pavement & Poster Street Sign
- 48 Hour Dispatch. Next Day UK Delivery

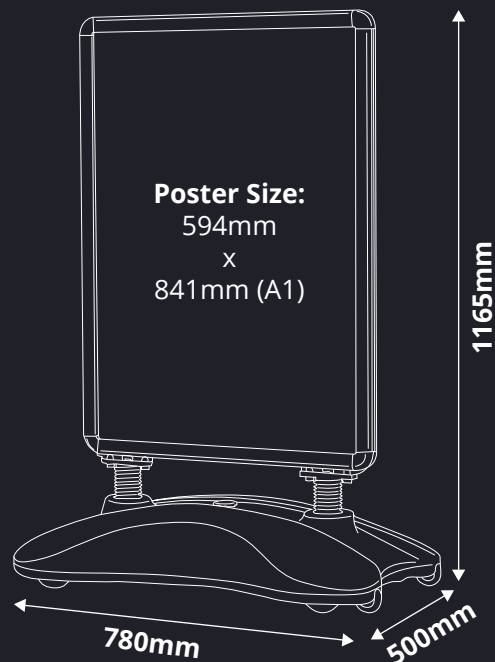


Acetate
Protective Poster
Cover Included



Aluminium Snap
Poster Frame
Holder

DIMENSIONS:



Poster Size:
594mm
x
841mm (A1)

1165mm

780mm

500mm

Overall Dimensions: 1165mm (h) x 780mm (w) x 500mm (d)

Visible Graphic Area: 820mm (h) x 575mm (w)

Overall Weight: 13.2 kg

Frame Weight: 7.7 kg

Base Weight (empty): 5.5 kgs (approx)

Base weight filled with 25l of water: 36kg (approx)

Box Dimensions of Base: 840mm x 530mm x 165mm

Box Dimensions of Frame: 1040mm x 680mm x 70mm



01733 511030
sales@xldisplays.co.uk