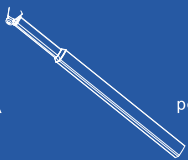
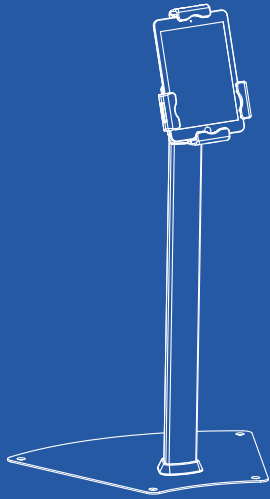


TELESCOPIC UNIVERSAL TABLET STAND

Assembly Instructions



A pole 1



B clamp holder 1



C base 1



D key 1



E M6x16 4



F plastic pad 1



G M5x8 (tamper-proof screw) 1



H EVA pad 2



I ST5.5x38 4



J concrete anchor 4



K TORX tool 1



L TORX tool 1



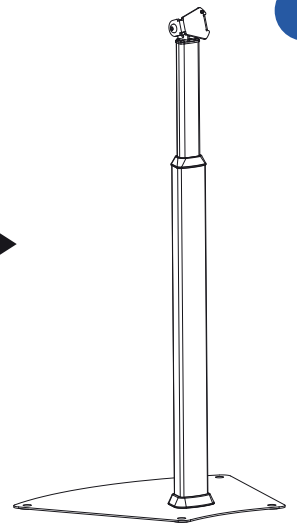
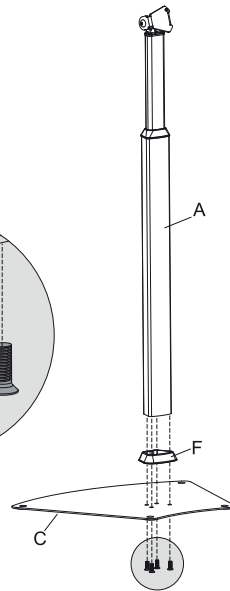
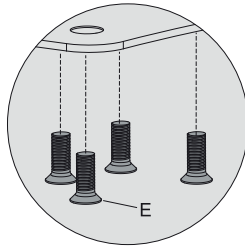
M Allen key 1



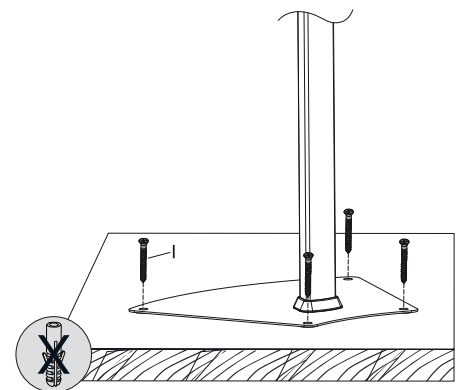
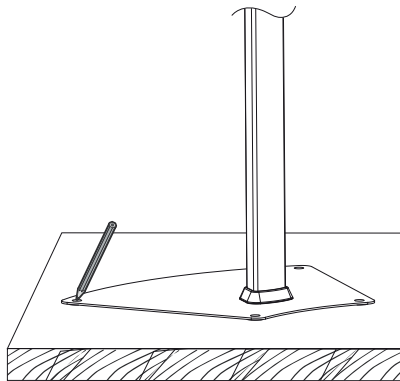
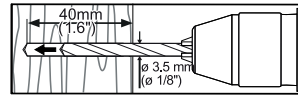
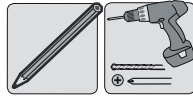
N cable clip 2



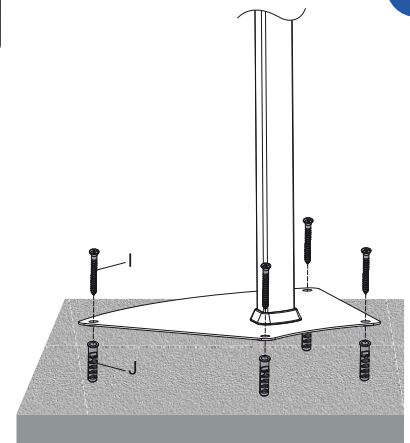
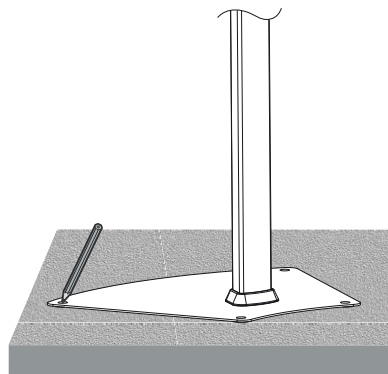
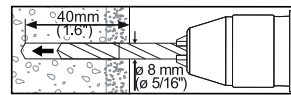
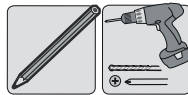
O cable clip 2



1



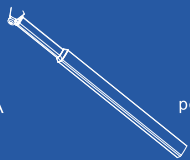
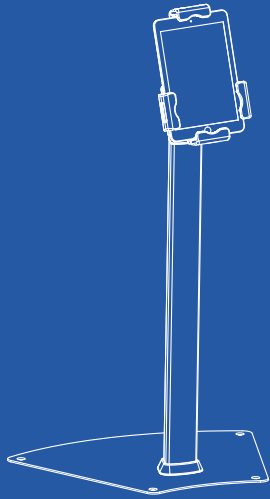
2



3

TELESCOPIC UNIVERSAL TABLET STAND

Assembly Instructions



A pole 1



B clamp holder 1



C base 1



D key 1



E M6x16 4



F plastic pad 1



G M5x8(tamper-proof screw) 1



H EVA pad 2



I ST5.5x38 4



J concrete anchor 4



K TORX tool 1



L TORX tool 1



M Allen key 1

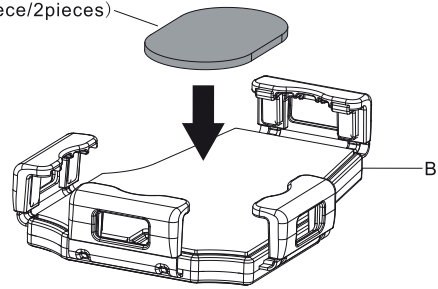


N cable clip 2

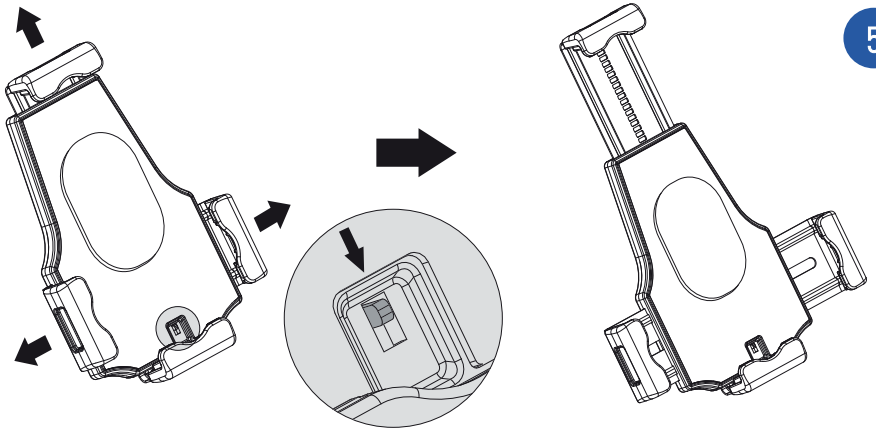


O cable clip 2

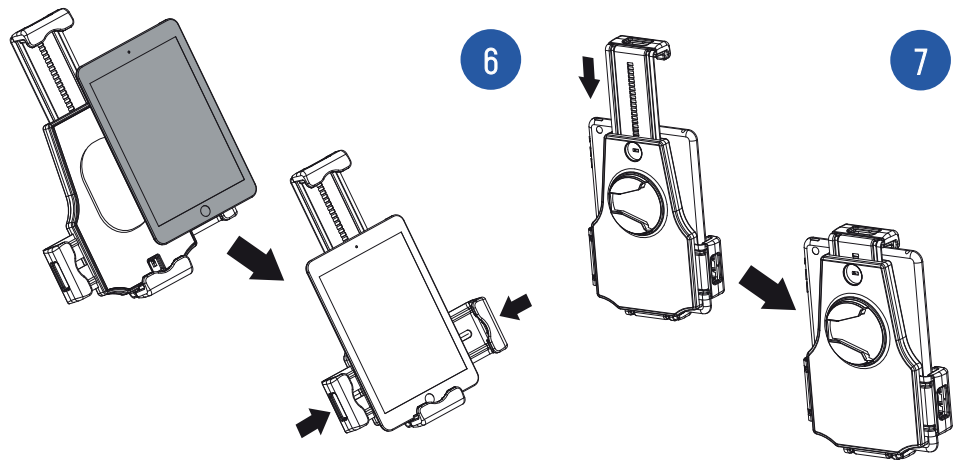
H (1 piece/2pieces)



4

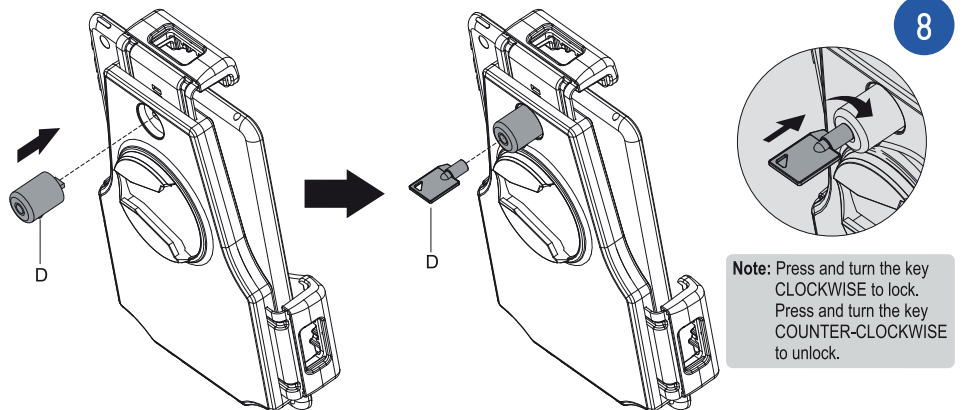


5



6

7

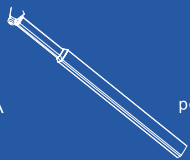
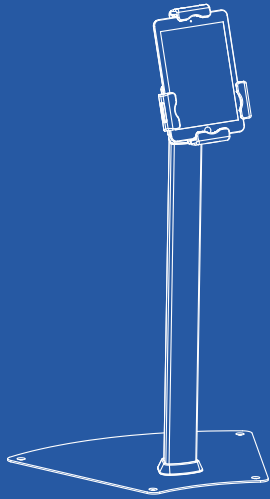


8

Note: Press and turn the key CLOCKWISE to lock. Press and turn the key COUNTER-CLOCKWISE to unlock.

TELESCOPIC UNIVERSAL TABLET STAND

Assembly Instructions



A pole 1



B clamp holder 1



C base 1



D key 1



E M6x16 4



F plastic pad 1



G M5x8 (tamper-proof screw) 1



H EVA pad 2



I ST5.5x38 4



J concrete anchor 4



K TORX tool 1



L TORX tool 1



M Allen key 1



N cable clip 2



O cable clip 2

