

TENSA ROLLER BARRIER ON WHEELS

with Standard Width Webbing

The ultimate in flexibility. Features the RollabARRIER® base, which allows for quick and easy movement of the posts. Up to 50% less storage space required.

FEATURES & BENEFITS

- The patented RollabARRIER® post has been designed to ensure easy set-up and quick storage making it the perfect solution for creating a temporary queue.
- The base features a set of hard-wearing wheels which enables the post to be moved without lifting - simply tip back and roll.
- Unique design also allows for up to three posts to be stacked together for easy deployment and compact storage – taking up to 50% less space than a standard post.
- The safest barrier on the market – our cassettes have the most unique braking system for slower webbing retraction.

APPLICATIONS

- Enhance and manage queuing spaces.
- Perfect for temporary queue's, fast changing queues, changing functions and temporary sites.
- Ideal for a variety of applications including: retail, tourist attractions, movie theatres, airports, sporting events, and stadiums.



Base Options

RollabARRIER® base



Post Finishes

Full range of metal and power coated colours available



Webbing Options

Standard & Dual Line Webbing 50mm width



Webbing Lengths

Two lengths available in 50mm width



Webbing Designs

Range of colours, designs and custom options



Tape End Options

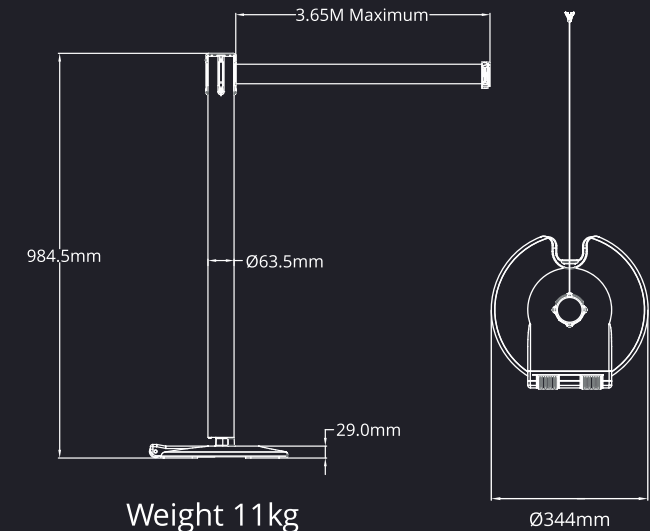
Six tape end options available

DIMENSIONS:

TENSATOR®

PRODUCT SPECIFICATION

- Metal post available in a range of powder coated colours or metal finishes.
- RollabARRIER® base comes as standard in hammer grey colour.
- Available with any Tensator® standard (50mm) width webbing options.
- Modular webbing cassette – all cassettes come as standard with our four-point anti-tamper webbing connectivity. This allows you to connect other TensabARRIER® products to the receiver splines on the cassette head.
- Comes as standard with an anti-tamper tape end.
- Compatible with all TensabARRIER® accessories including our range of post top signage and wall clips.



01733 511030
sales@xl displays.co.uk