

TENSABARRIER POPULAR STANCHION BARRIER

Practical and Economic

Features a hardwearing cast iron branded base, perfect for areas with high traffic levels. Ideal for tourist attractions, markets, back-of-house areas.

FEATURES & BENEFITS

- The popular post features a lightweight plastic post that screw fixes into a tough cast iron base.
- The post and base can be quickly and easily dismantled for easy storage and transportation.
- This post is popular, as it is more economical than a metal Tensabarrier® post with all of the advanced safety features.
- Cost effective for long queuing environments and out of service areas.
- Safest barrier on the market – our cassettes have the most unique braking system for slower webbing retraction.

APPLICATIONS

- Ideal for markets, theme parks, attractions and tourist environments.
- Use to guide public during events.
- Eliminate unsafe working conditions by clearly defining routes.
- Restrict access to dangerous areas.
- Indoor and outdoor use, but shouldn't be permanently placed outside.



Base Options



Cast Iron Base

Post Finishes



Four plastic finishes available

Webbing Options



Standard Webbing
50mm width

Webbing Lengths



Two lengths available in
50mm width

Webbing Designs



Range of colours, designs
and custom options

Tape End Options



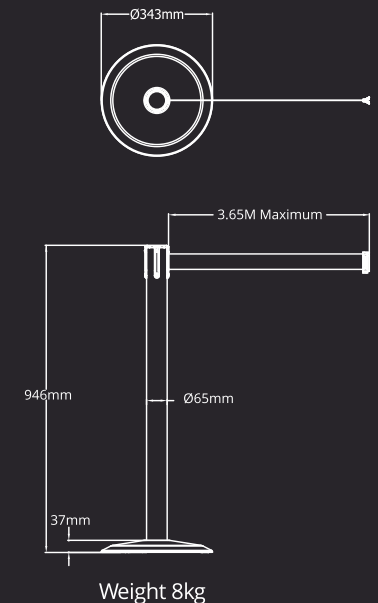
Six tape end options available

DIMENSIONS:

TENSATOR®

PRODUCT SPECIFICATION

- Plastic post available in 4 UV stable colours.
- Cast iron base comes in black, branded with Tensabarrier® logo.
- Shipped flat packed with no tools required.
- Available with any Tensator® standard (50mm) width webbing options.
- Modular webbing cassette – all cassettes come as standard with our four-point anti-tamper webbing connectivity. This allows you to connect other Tensabarrier® products to the receiver splines on the cassette head.
- Comes as standard with anti-tamper tape end.
- Compatible with all Tensabarrier® accessories including our range of post top signage. - Available to buy in a twin pack.



01733 511030
sales@xldisplays.co.uk