

WALL AND DESK MOUNTED HAND SANITISING UNIT

FEATURES:

- Desk or wall mounted hygiene station
- Ideal for high traffic areas
- Easy clean, wipable surfaces
- Supplied with a white powder-coated finish
- A4 poster snap frame to communicate your safety information
- Supplied with or without hand sanitiser
- Helps to enforce hygiene & safety around the workplace
- Designed to hold a round 75mm (dia) anti-bacterial gel bottle
- Optional 500ml bottle of 70% alcohol hand sanitiser
- Fast UK delivery



01733 511030
sales@xldisplays.co.uk

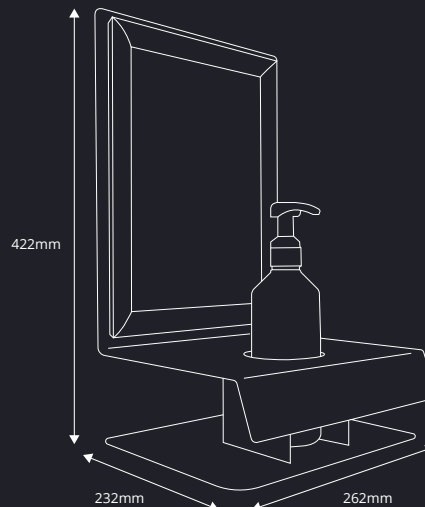


Desk or wall mounted hygiene station ideal for high traffic areas



Helps to enforce hygiene & safety around the workplace

DETAILS:



The Wall And Desk Mounted Hand Sanitising Unit is a hygiene station that can be tactfully placed in high-traffic areas to ensure customers and employees are able to regularly sanitise their hands to stay safe and reduce the risk of infection.

Ideally placed on desks, reception counters, in meeting rooms, or on the wall at entrances on offices, shops, retail centers, and business premises. It is also ideal for placing in and around public buildings such as leisure centers, gyms, and libraries.

Hand sanitiser or anti-bacterial hand gel plays a large part in the fight against

coronavirus. Regular hand washing and sanitising are necessary to fall in line with the UK Government hygiene and safety guidelines.

This cleaning station features an A4 poster frame that can be used to promote your safety and hygiene rules and encourage regular hand sanitising. It can also be used to display the NHS Track & Trace QR codes.

Add a customised logo or message to the lip of the display for extra impact. Please note this is not included.