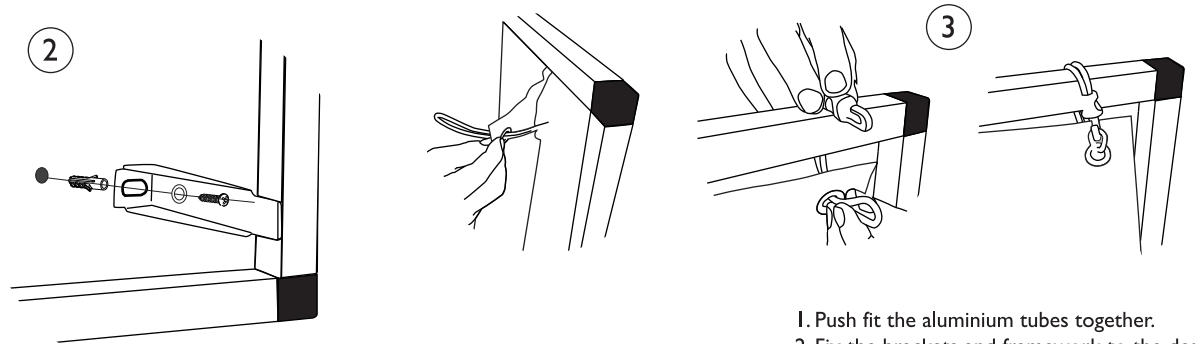
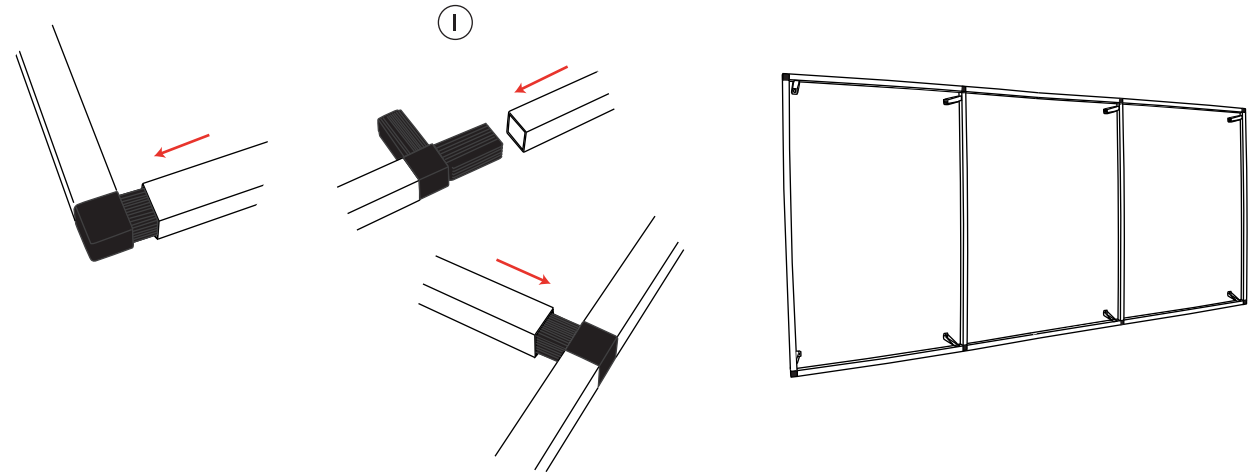


# WALL MONSOON OUTDOOR BANNER

Assembly Instructions



1. Push fit the aluminium tubes together.
2. Fix the brackets and framework to the desired surface.
3. Pass the elastic bungee cord through the graphic eyelet and around the frame to secure (Corner eyelets require two bungees).

**Note: Fixings are not supplied, fixings should be selected to suit each particular wall surface.**

