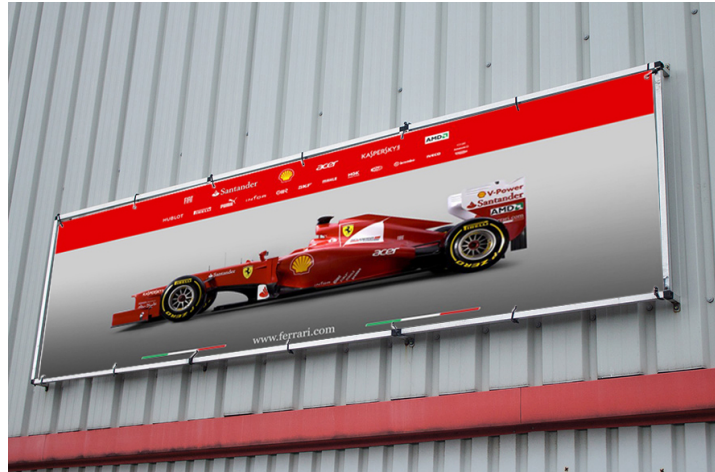


WALL MONSOON OUTDOOR BANNER

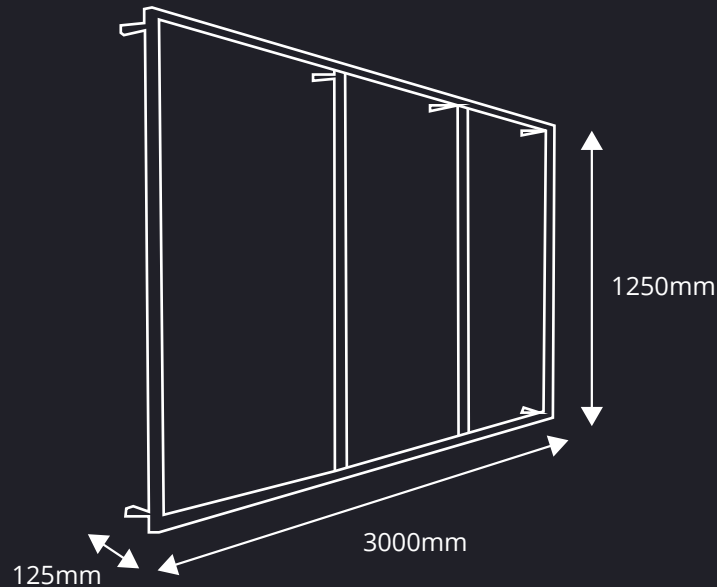
Technical Specifications

FEATURES:

- Wall Mounted Banner Frame
- Size: 3000mm (w) x 1250mm (h)
- Includes Printed Graphic & Bungees
- Full Colour Custom Printed Artworks
- Lightweight Aluminium Frame
- Supplied Flat Packed - Simple Self-Assembly
- Manufactured in The UK
- Tool-Free Assembly
- Fast UK Delivery



DIMENSIONS:



Display Area (mm)	O/A Dimensions (w x h x d mm)	Weight (kg)
2840 x 1090	3000 x 1250 x 125	5



01733 511030
sales@xldisplays.co.uk