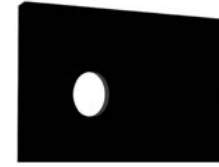


# WALL MOUNTED OUTDOOR CHALKBOARD

## FEATURES:

- Outdoor Chalk Board Panel
- Durable High Pressure Laminated
- Pre Drilled Holes For Wall Mounting
- Five Sizes Available
- Designed For Outdoor Use
- Ideal For Hospitality, Retail & Businesses
- Long Lasting & Weatherproof Blackboard
- Compatible With Liquid Chalk Pens
- 'Greenguard' Indoor Air Quality Certified
- Approved For Use in Schools
- Easy To Clean, Wipeable Surface

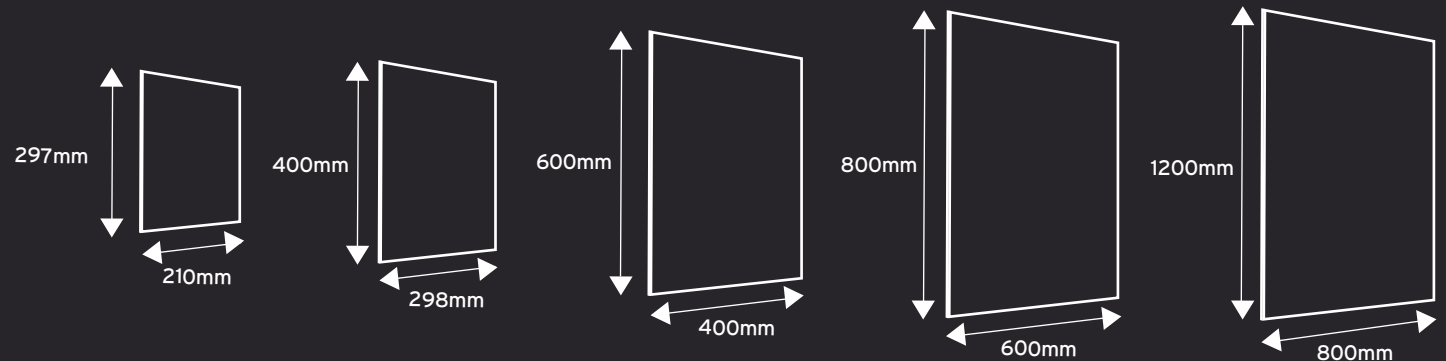


Pre Drilled Holes For Wall Mounting



Five Sizes Available

## DIMENSIONS:



| DISPLAY AREA W x H (MM) | DIMENSIONS W x H x D (MM) | WEIGHT(KG) |
|-------------------------|---------------------------|------------|
| 206 x 293               | 210 x 297 x 3             | 0.3        |
| 294 x 396               | 298 x 400 x 3             | 0.5        |
| 396 x 594               | 400 x 600 x 3             | 1.1        |
| 594 x 796               | 600 x 800 x 3             | 2.2        |
| 796 x 1196              | 800 x 1200 x 3            | 4.4        |



01733 511030  
sales@xldisplays.co.uk