

WALL MOUNTED RETRACTING BELT BARRIER

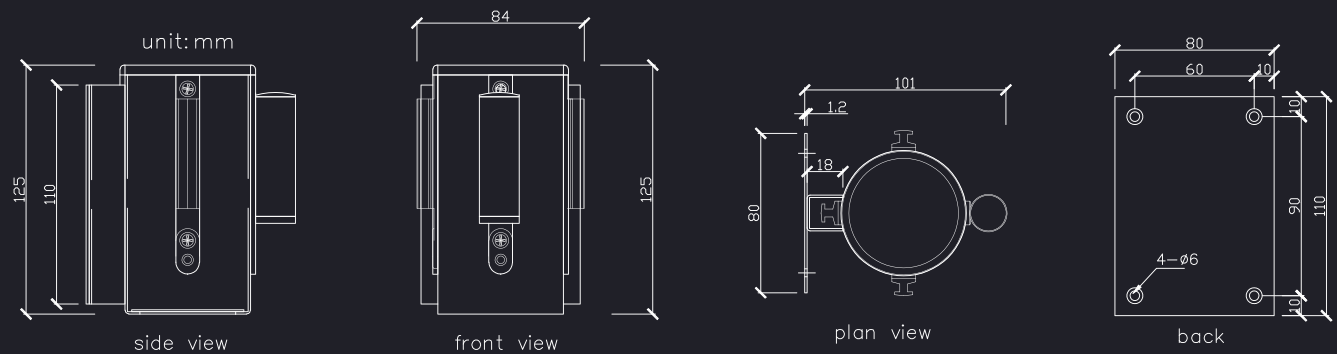
Ideal For Pedestrian Guidance,
Safe Social Distancing & Queue
Management

FEATURES:

- Optional Wall Receiver Clip
- Wall-Mounted Belt Barrier
- Ideal Social Distancing Barrier
- 2m Retractable Webbing Belt in Black
- Silver Cassette As Standard
- 2m Extendable Barriers
- Wall Fixings Included For Mounting
- Fast UK Delivery



DIMENSIONS:



01733 511030
sales@xldisplays.co.uk