

WEATHERMASTER TWIN OUTDOOR RETRACTABLE CROWD BARRIER

FEATURES:

- Outdoor Crowd Control Barriers
- Dual Line Outside Retractable Belt Barrier
- Steel Post With Powder-Coated Colours
- Ultra-Tough Recycled Rubber Base
- Four High Visibility Stanchion Colours
- 3.4m Expanding Barrier Tape
- Universal Belt End As Standard
- 18 Webbing Fabric Colours
- Convenient Carry Handles on Base
- Tool-Free Screw Together Assembly
- Disassemble For Easy Storage
- 3 Year Warranty
- UK Manufactured

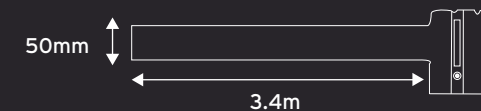
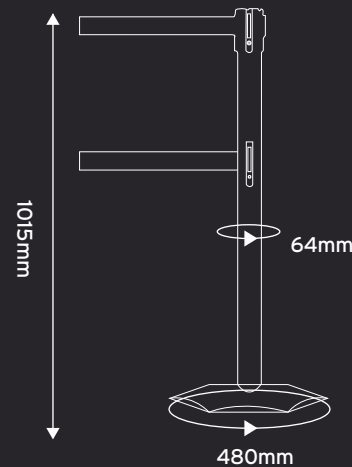


Choice of Four Colour Posts



Convenient Carry Handle

DIMENSIONS:



HEIGHT (MM)	WEIGHT (KG)	POST DIAMETER (MM)	BASE DIAMETER (MM)	BELT WIDTH (MM)	BELT LENGTH (M)
1015	9	64	480	50	3.4



01733 511030
sales@xldisplays.co.uk