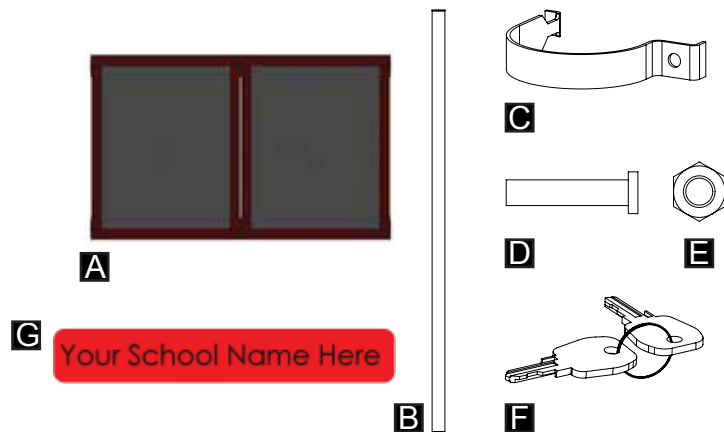


WEATHERSHIELD POST MOUNTED EXTERNAL NOTICEBOARD WITH PRINTED HEADER - ASSEMBLY INSTRUCTIONS

PARTS

- A: WeatherShield Boards on rails
- B: 3 x 2.5m Poles
- C: 12 x Brackets
- D: 12 x Bolts
- E: 12 x Nuts
- F: 2 x Key Sets
- G: 1x Printed Sign



TOOLS

Tools required which are not supplied:

- Tools for digging the holes
- Concrete/Postcrete
- One Spanner
- Ladder

ASSEMBLY INSTRUCTIONS

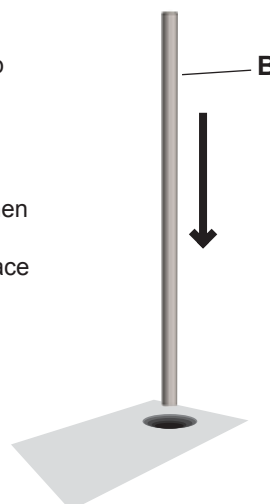
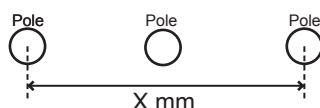
Two people are required for the installation of this board.

1. Make holes of at least 600mm deep in the ground. The bottom of the pole must be at least 600mm deep into the ground to ensure maximum stability. Insert the Poles (B), then fill the holes with concrete or postcrete, making sure they are level.

To position the poles, measure **both** board widths, then subtract 276mm. This will give the position of the poles from centre to centre of the outer poles and place the central pole in the middle.

Example: Board Size = 1212mm.

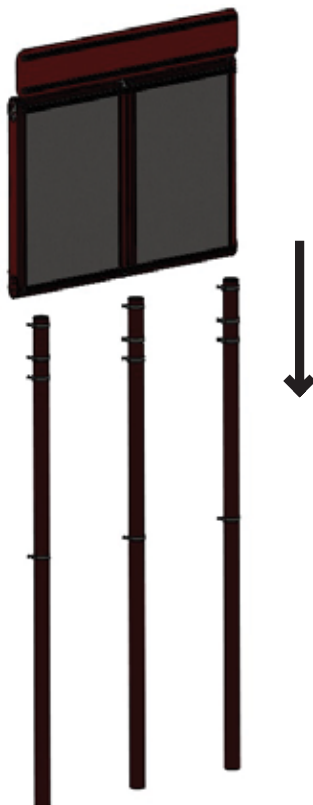
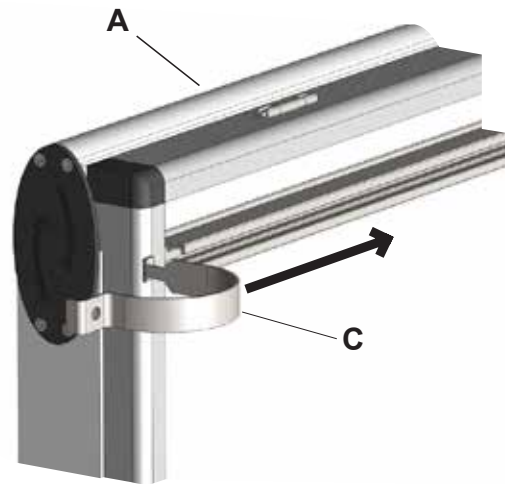
$$1212 - 276 = 936\text{mm} - \text{Centre to Centre}$$



WEATHERSHIELD POST MOUNTED EXTERNAL NOTICEBOARD WITH PRINTED HEADER - ASSEMBLY INSTRUCTIONS

ASSEMBLY INSTRUCTIONS

2. Slide the 4 Brackets (C) into the railing on the rear of the WeatherShield Board (A). There needs to be three on each railing



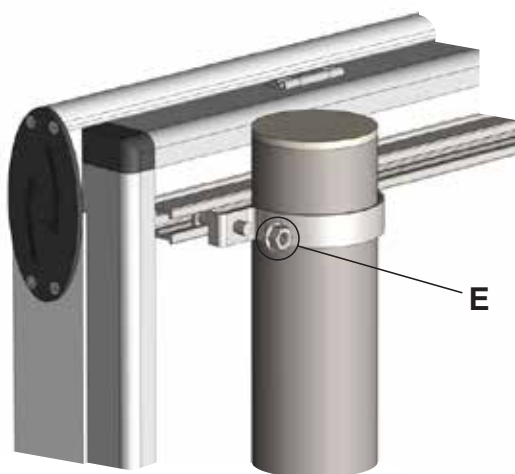
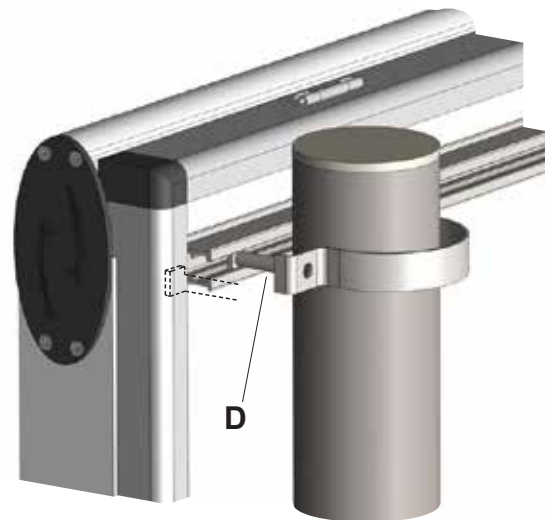
3. Once the poles have set in the ground, carefully lift then slide the WeatherShield from the top of the pole to your desired height. Repeat for the printed sign. Someone will have to hold the board in this position until the next two stages are complete.

WEATHERSHIELD POST MOUNTED EXTERNAL NOTICEBOARD WITH PRINTED HEADER - ASSEMBLY INSTRUCTIONS

ASSEMBLY INSTRUCTIONS

4. Slide the bolts (D) onto the rail, then slightly pull the bracket outward until the bolt fits into the hole.

Repeat this for the remaining brackets.



5. Lastly, screw the nuts (E) onto the bracket bolts (D), tightening with a spanner.

Repeat this with the remaining nuts, ensuring they are all secure.

Check that the board is level using a spirit level, and adjust as necessary.