

XL 60 FREE STANDING TV STAND

FEATURES:

- Can Be Integrated With Pop Up Stands
- Height Adjustable Freestanding TV Stand
- Holds Screen up to 60 Inches or 42kg
- Supplied in 1 or 3 Pole Sections
- Includes Transportation Bag
- Life Time Warranty



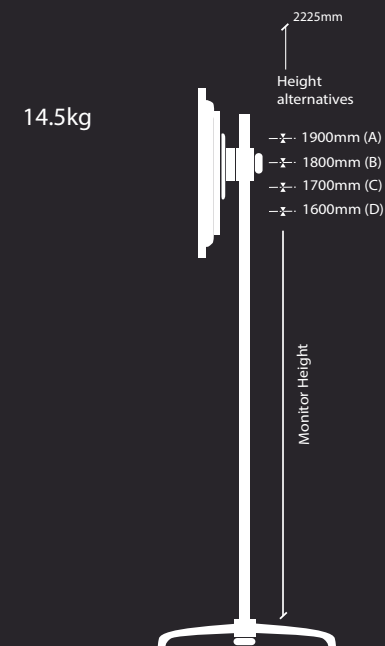
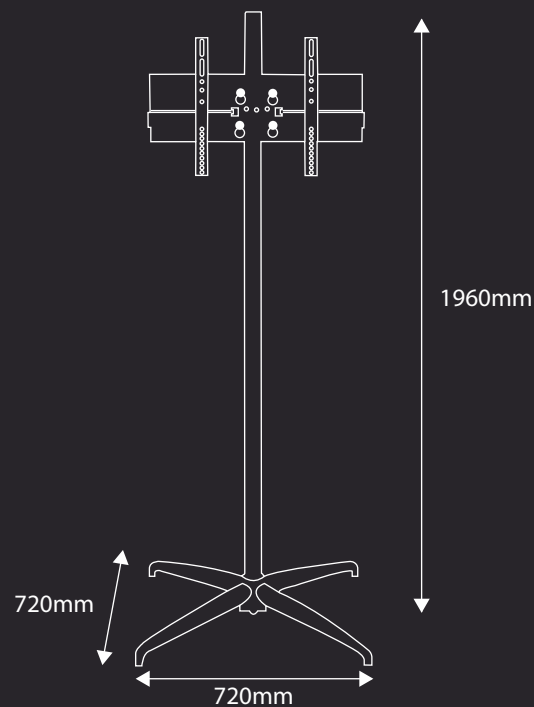
TV Stand Supports
Screens Up To 60"/42kg



Free Standing TV
Can Be Used Alone



DIMENSIONS:



01733 511030
sales@xldisplays.co.uk