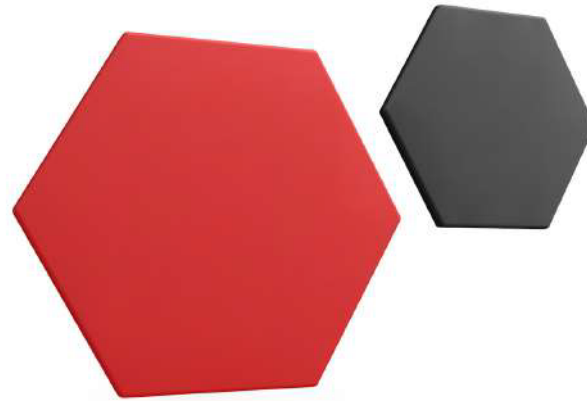


ZAGATO™ HEXAGONAL ACOUSTIC WALL PANELLING

Modular Decorative Wall Panels to
Reduce Sound in Rooms and Offices.

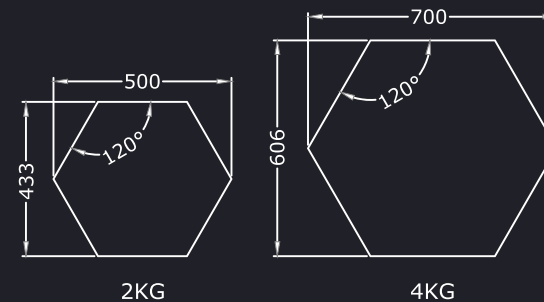
FEATURES:

- Acoustic Wall Baffle Boards
- Hexagonal & Half-Hexagonal Shape
- Upholstered Textured Fabric Wall Tiles
- 26mm Thick Acoustic Tiles
- Sound Absorbing Acoustic Foam Core
- Keyhole Bracket/3M Command™ Strips
- Can Be Mounted in Any Configuration
- Reduces Sound Pollution in Offices
- Mix and Match Modular Acoustic Panels
- Choice of Fabric Type And Colours
- UK Designed & Manufactured



DIMENSIONS:

HEXAGON



Tile construction is from 6/9mm medium density fibreboard (MDF) adhered (using water based adhesive) to 18mm sound absorbing foam.

Sound absorbing foam is tested to **BSEN ISO 354** and has an inferred noise reduction co-efficient (NRC) of 0.43. Based upon test reports 1306-1040 to 1042 and C/23213/T01.

On average each tile is manufactured from materials with 71% recyclable content.



01733 511030
sales@xldisplays.co.uk