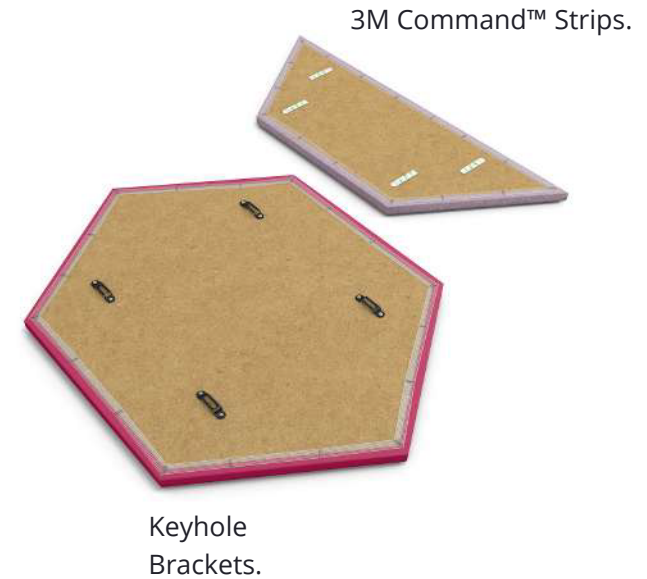


ZENARTRO™ DIAMOND SHAPE ACOUSTIC WALL PANELLING

Modular Acoustic Wall Tiles for
Feature Walls.

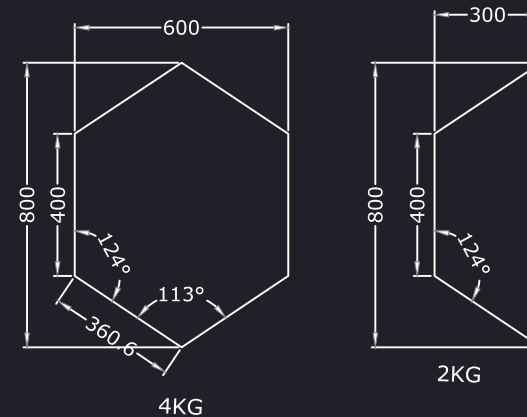
FEATURES:

- Diamond Shape Noise Reducing Panels
- Also Available as Half-Diamond
- Mix and Match Modular Acoustic Panels
- 26mm Acoustic Wall Panelling
- Reduces Sound Reverberations in Rooms
- Helps to Improve Concentration in Offices
- Keyhole Bracket/3M Command™ Strips
- Sound Absorbing Acoustic Foam Core
- Can Be Mounted in Any Configuration
- Choice of Fabric Finishes
- Manufactured in the UK



DIMENSIONS:

DIAMOND



Tile construction is from 6/9mm medium density fibreboard (MDF) adhered (using water based adhesive) to 18mm sound absorbing foam.

Sound absorbing foam is tested to **BSEN ISO 354** and has an inferred noise reduction co-efficient (NRC) of 0.43. Based upon test reports 1306-1040 to 1042 and C/23213/T01.

On average each tile is manufactured from materials with 71% recyclable content.



01733 511030
sales@xl displays.co.uk